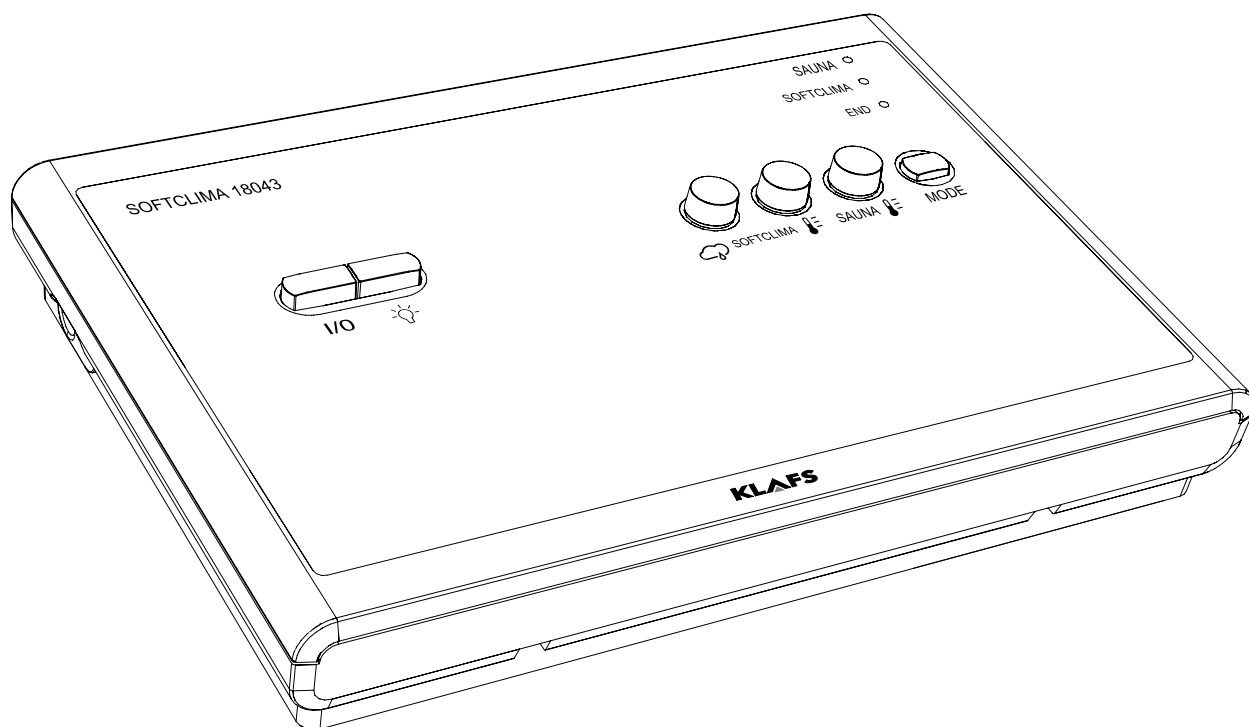


# Operating Instructions

## Klafs Softclima with Control System type 18043

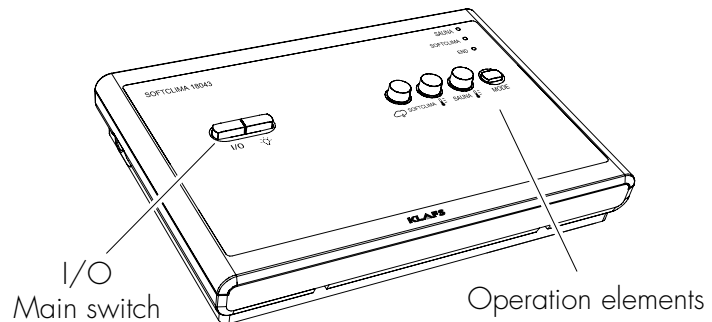
**KLAFS**  
MY SAUNA AND SPA



<b>Contents</b>	<b>Page</b>
<b>1. Brief description of Softclima controller .....</b>	<b>3</b>
<b>2. Bathing types .....</b>	<b>3</b>
2.1. Sauna .....	3
2.2. Softclima .....	3
<b>3. Technical data .....</b>	<b>3</b>
<b>4. Intended Use .....</b>	<b>4</b>
<b>5. General safety information .....</b>	<b>4</b>
<b>6. Operation and Display Elements .....</b>	<b>5</b>
<b>7. Operation .....</b>	<b>6</b>
7.1. Switching the cabin light On/Off .....	6
7.2. Switching stand-by mode On/Off .....	6
7.3. Starting bathing type Sauna .....	6
7.4. Starting Softclima mode .....	6
7.5. Changing bathing mode .....	7
7.6. Stopping Sauna mode .....	7
7.7. Stopping Softclima mode .....	7
7.8. PLURIS - Starting the evaporator .....	8
7.9. PLURIS - Shutting down the evaporator .....	10
<b>8. Individual settings .....</b>	<b>12</b>
8.1. Sauna/Softclima temperatures .....	12
8.2. Setting sauna temperature .....	12
8.3. Setting Softclima temperature .....	13
8.4. Setting the Softclima humidity .....	13
8.5. Setting the exhaust air flap for cabin ventilation (option) .....	13
<b>9. If something does not work .....</b>	<b>14</b>
9.1. Error indication at bathing type LEDs .....	14
9.2. Other possible errors .....	14
<b>10. Maintenance and Cleaning .....</b>	<b>15</b>
10.1. Cleaning the sauna cabin .....	15
10.2. Softclima .....	16
<b>11. Notes .....</b>	<b>17</b>
<b>12. Addresses .....</b>	<b>20</b>

# 1. Brief description of Softclima controller

The Klafs Softclima control system offers you the possibility to operate your sauna with high convenience. The bathing conditions can be changed within the allowed adjustment range before and during the operation.



## 2. Bathing types

### 2.1. Sauna

#### Sauna

With temperatures of 85 - 100 °C and a low relative humidity.

#### WARM AIR BATH

With extra mild climate, with temperatures of 45 - 60 °C and a relative humidity of up to approx. 20 %.

### 2.2. Softclima

#### Soft steam bath

As gentle and humid bath with temperatures of 50 - 60 °C and infinitely adjustable humidity.

With the Soft Steam Bath, the temperature and the relative humidity are controlled by a microprocessor controller.

#### Herbal Bath

With same climate values as for soft steam bath, and additional evaporation of herbal extracts and scent extracts mixed with water. This improves the effect of the soft steam bath.

Taking a sauna in your Klafs sauna cabin should benefit your health and well-being.

*Therefore:* Don't overdo it ! That applies to the temperature, the relative humidity and the bathing time. Orientate yourself not only on the given bathing times, but also on your condition. Leave the cabin as soon as you no longer feel well.

## 3. Technical data

Control System Type 18043: 3/N/PE ~400 V, max. 9 kW.

Operating conditions: Temperature 0 °C to 35 °C, max. 80 % relative humidity.

## 4. Intended Use

The Softclima controller is intended exclusively for normal use for controlling approved (registered with VDE or TÜV by Klafs) sauna stoves and automatic evaporators (intended use).

Any other use is considered not in accordance with the terms of usage! The manufacturer is not responsible for damage resulting from other forms of usage; the user alone carries this risk. Proper and intended use and operation include compliance with the requirements for assembly, operation, maintenance and repair stipulated by the manufacturer.

The Softclima control system may only be operated and maintained by persons who are familiar with its usage and aware of the dangers involved. Follow the relevant German VDE regulations as well as other generally recognized safety rules. Damage resulting from arbitrary changes to the control system are excluded from the manufacturer's liability.

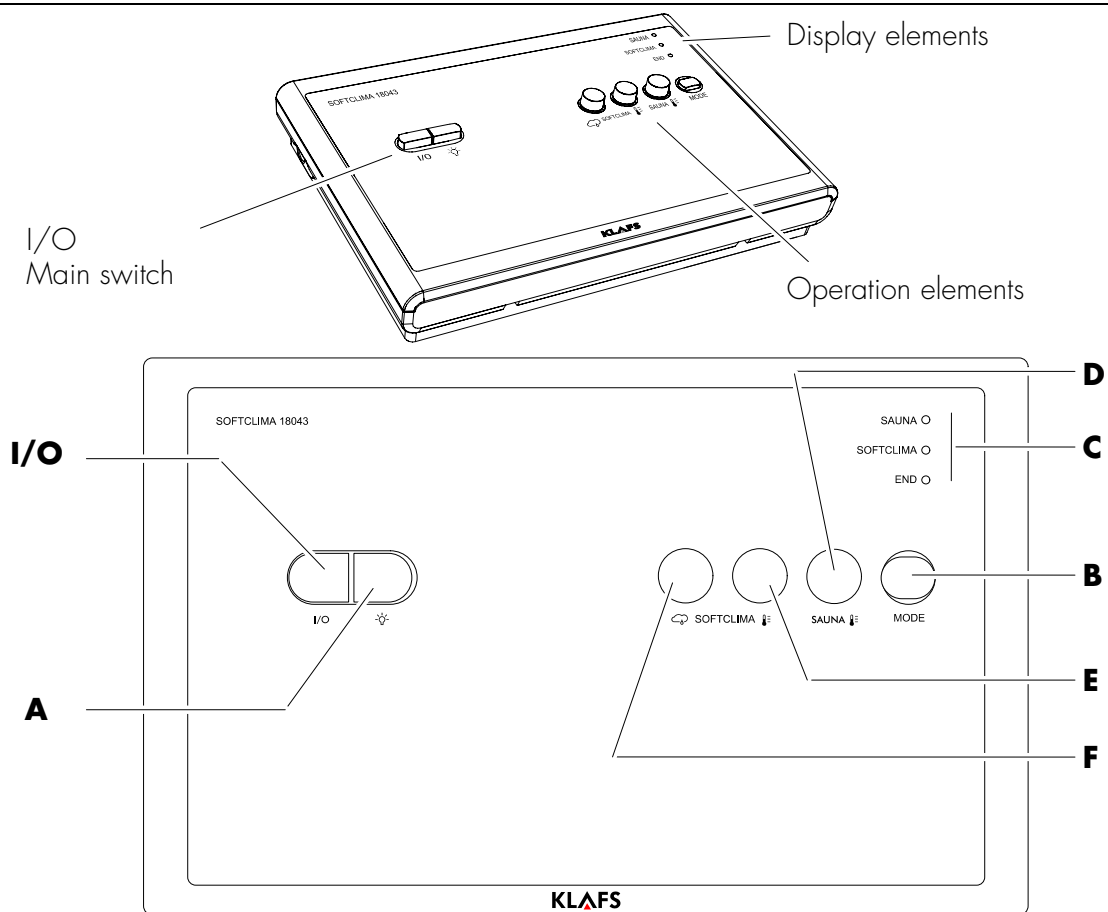
---








## 5. General safety information

Read and observe the operating and safety instructions before start-up!

- Before opening the control system housing remove the power from the control system!
  - The control system may be connected to mains by a locally authorised electrician only!
  - Sauna installations may be connected to mains with a fixed connection only according to VDE regulations. In the connecting feed line use a residual-current breaker  $I_{\Delta N} \leq 0.03 \text{ A}$  with at least 3 mm contact opening.
  - Inform Klafs Customer Service of problems that a certified electrician cannot repair!
  - Only use original Klafs spare parts!
  - Arbitrary changes to the control system are not allowed!
  - Install the control system, in accordance with the assembly instructions!
  - Electrical wiring inside the cabin and the cabin walls must have silicone insulation.
  - Before activating the control system always make sure that no inflammable objects are on or near the sauna heater. FIRE RISK!
  - Do not use the sauna to dry your laundry!
  - Never pour concentrated aromatic oils or extracts directly onto the sauna heater. Only use the indicated concentration (approx. 20 - 30 drops to 1 liter of water)!
  - Never pour herbal extracts, as used in Softclima mode, directly into the evaporator. Outside of the cabin, fill the fragrance bowl a quarter full with water and add the herbal extracts drop by drop in accordance with the instructions on the bottle. Then re-attach the fragrance bowl to the steam exit!
  - As infusion agent it is only permissible to use Klafs aromatic extract!
  - Never store the bottle containing aromatic oils or infusion agent in the sauna cabin!
  - Regularly check the sauna heater for damage.
  - This equipment is not intended for use by persons (including children) with reduced, physical, sensory or mental abilities or by persons with a lack of experience or knowledge, unless they have received instructions in the use of the equipment or are supervised by a person responsible for their safety. Children must be supervised to ensure that they will not play with the unit.
-

## 6. Operation and Display Elements



Unit/ button:	Description:	Function:
 <b>I/O</b>	Main switch	Switch On/Off stand-by of control system.
 <b>A</b>	Cubicle light button	Cabin light On/Off switch.
 <b>B</b>	MODE button	Mode selection: Sauna, Softclima or End programme.
 <b>C</b>	Bathing type LEDs	Displays the selected bathing mode. <ul style="list-style-type: none"> <li>○ A permanently lit END LED (C) indicates standby mode.</li> <li>○ A flashing Sauna/Softclima LED indicates the selected bathing mode.</li> </ul> Error Indicator. ▶ See page 14.
 <b>D</b>	Rotary knob Sauna temperature	To set temperature - Sauna.
 <b>E</b>	Rotary knob Softclima temperature	To set temperature - Softclima bath.
 <b>F</b>	Rotary knob Softclima humidity	To set Softclima bath humidity.

## 7. Operation

### 7.1. Switching the cabin light On/Off

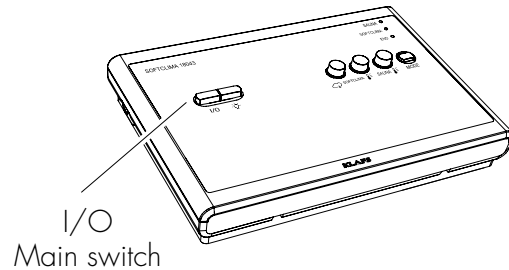
☞ Prerequisite: Switch On the main switch of the control system.

1. Keep the .

### 7.2. Switching stand-by mode On/Off

1. Press button I/O.

☞ When the master switch is on the controller is in standby mode and Softclima or Sauna mode can be started from the control panel.



#### Prerequisite for the following operations:

☞ The control system is switched to stand-by.

### 7.3. Starting bathing type Sauna



#### Fire risk!

Before starting up the controller, always check that there are no combustible objects on or near the sauna stove.



Remove herbal aroma pillow before starting Sauna mode.

1. Press the MODE button, repeatedly if necessary, until the Sauna mode LED lights up.

➤ Setting temperature - see page 12.

☞ The sauna heater switches On. The sauna is heated and is ready for bathing after the warm-up period.



After 4 and/or 6 hours, the sauna heater switches off automatically.  
Delivery settings: 4 hours.

### 7.4. Starting Softclima mode



#### Fire risk!

Before starting up the controller, always check that there are no combustible objects on or near the sauna stove.

1. Fill the water container of the Softclima heater before starting the Softclima mode.

➤ Fill the evaporator with water - see page 8.

2. Press the MODE button, repeatedly if necessary, until the Softclima mode LED lights up.

➤ Setting temperature - see page 12.

➤ Setting humidity - see page 13.

☞ The sauna heater switches On. The sauna is heated and is ready for bathing after the warm-up period.

## 7. Operation

### 7.5. Changing bathing mode

The bathing mode can be changed while a programme is in progress.

1. Press the MODE button, repeatedly if necessary, until the Sauna or Softclima mode LED lights up.
  - ☞ A transition period of at least 20 minutes is necessary because of the different climatic conditions of the two forms of bathing.

### 7.6. Stopping Sauna mode

1. Press the MODE button, repeatedly if necessary, until the End LED lights up.
  - ☞ The sauna heater switches Off.
2. To switch off the controller: Press I/O button on the controller.
  - ☞ The End LED goes out.
3. After the bath, temporarily open the cabin door and leave it open to air out the cabin.

### 7.7. Stopping Softclima mode

1. Press the MODE button, repeatedly if necessary, until the End LED lights up.
  - ☞ The sauna heater is switched Off and the 25-minute-follow-up program starts. While the follow-on programme is running, the End LED flashes. As soon as the follow-on programme has ended, the End LED remains permanently lit.
2. Then switch off the controller: To do so press I/O button on the controller.
  - ☞ The End LED goes out.



#### **Danger of scalding!**

Drain the water only after the heater has cooled off.

3. Drain the cooled-off water from the water tank of the Softclima heater.
  - ◆ Draining off residual water - see page 10.
4. After the bath, temporarily open the cabin door and leave it open to air out the cabin.

## 7. Operation

### 7.8. PLURIS - Starting the evaporator



**Fire risk!**

Before starting up, always check there are no combustible objects on or near the sauna stove.

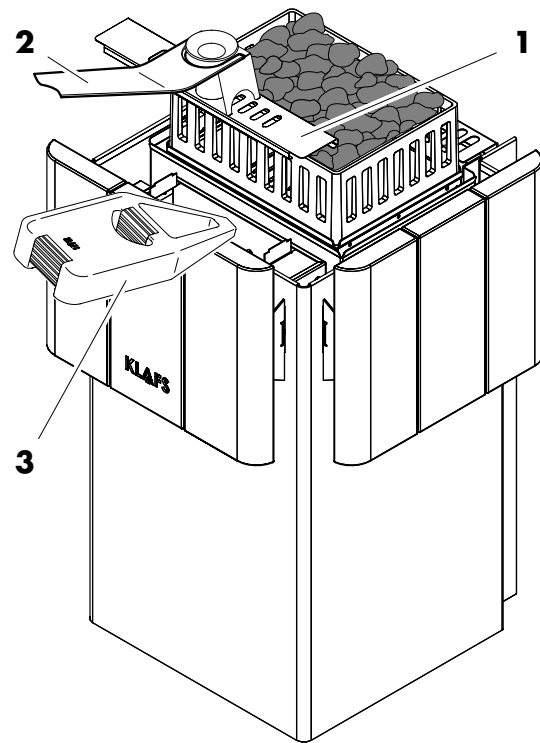


**Hot surfaces - Risk of skin burns!**

Immediately after the bath the cover (1) is still hot. Protect hands and fingers from burns.

**Fill the evaporator with water**

1. Use the aroma fork (2) to remove the cover (1).
2. Fill the water container (3) with water via the port.
- ☞ Maximum filling capacity is 7 liters of water.
3. Put the cover (1) back on.



**Add scent to the fragrance bowl**



**Hot surfaces - Risk of skin burns!**

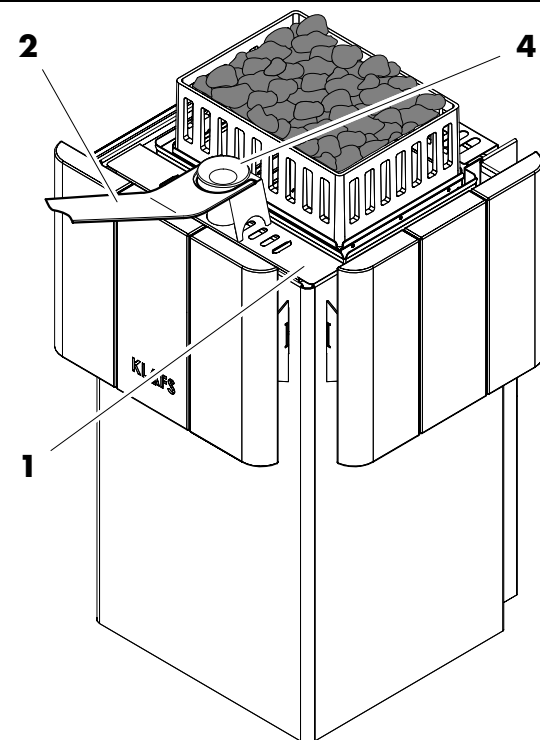
Immediately after the bath the cover (1) is still hot. Protect hands and fingers from burns.



**Fire risk!**

Do not fill the fragrance bowl at the heater.

1. Use the aroma fork (2) to remove the cover (1).
2. Pour diluted scent into the fragrance bowl (4).
3. Put the cover (1) back on.



*Continued on the next page*



## 7. Operation

### 7.8. PLURIS - Starting the evaporator

*Continued*

#### Place herbal pillow (option)

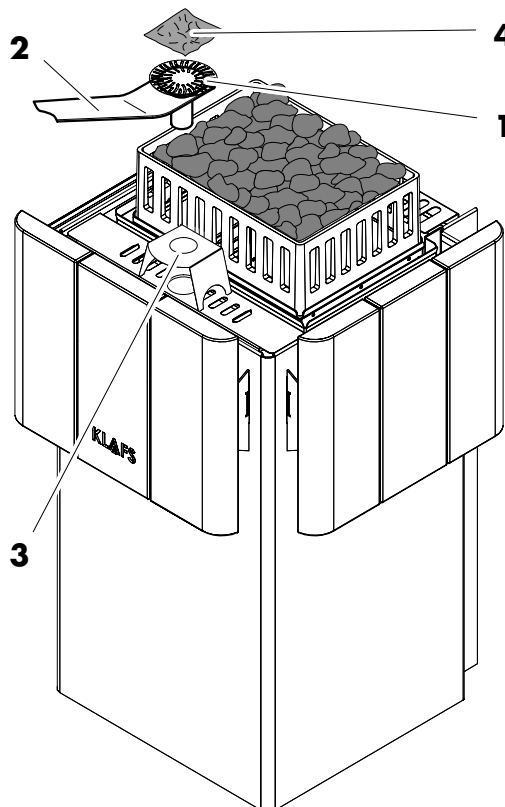
**Fire risk!**

Do not place herb pillow (4) on hot stones.



Use herb pillows approved by Klafs only.

1. Remove the herb pillow support (1) from the steam exit body (3) with the aroma fork (2).
2. Place the herb pillow (4) in the herb pillow support (1).
3. Place the herb pillow support (1) back on the steam exit body (3).



## 7. Operation

### 7.9. PLURIS - Shutting down the evaporator

#### Drain residual water



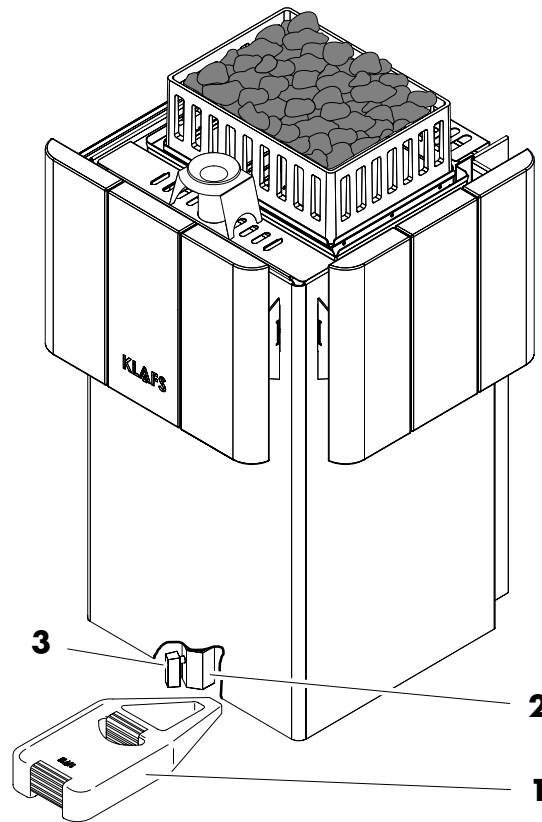
Drain off residual water after every use.



#### Hot surfaces - Risk of skin burns!

The residual water is still hot immediately after the bath. Protect hands and fingers against scalding.

1. Place the filler can (1) under the discharge opening (2).
2. Open the drain valve (3).
3. As soon as the evaporator is empty, close the drain valve (3).
4. Empty the filler can (1).



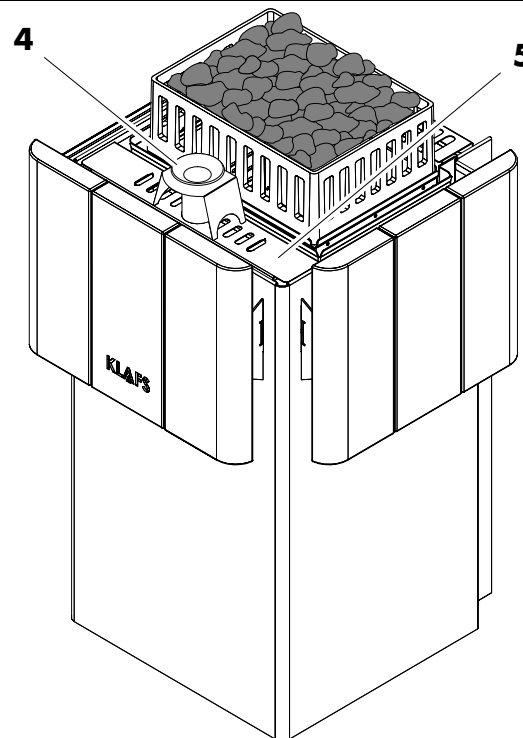
#### Empty the fragrance bowl



#### Hot surfaces - Risk of skin burns!

Immediately after the bath the fragrance bowl (4) is still hot. Protect hands and fingers against scalding.

1. Use the aroma fork to remove the fragrance bowl (4) from the cover (5).
2. Rinse the fragrance bowl with water.
3. Place the fragrance bowl (4) back on the cover (5).



*Continued on the next page*

## 7. Operation

### 7.9. PLURIS - Shutting down the evaporator

*Continued*

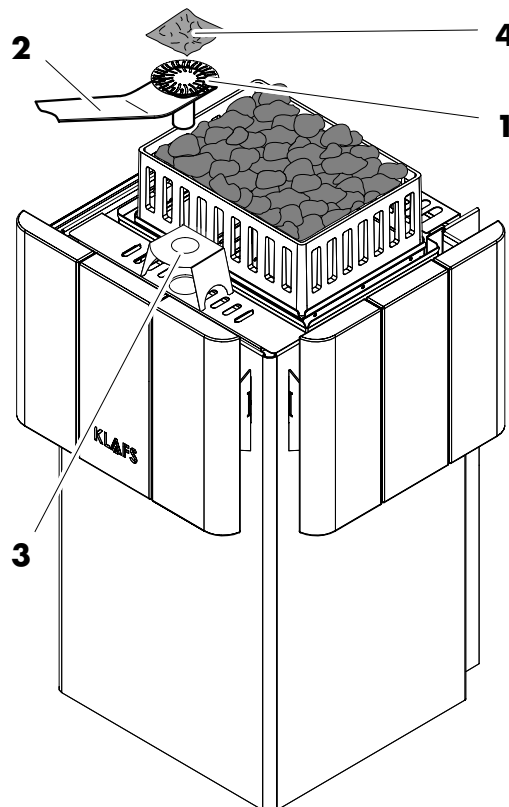
#### Remove the herbal pillow (option)



#### **Danger of scalding!**

The herb pillow support is still hot immediately after the bath.

1. Remove the herb pillow support (1) from the steam exit body (3) with the aroma fork (2).
2. Dispose of herb pillow (4).
3. Place the herb pillow support (1) back on the steam exit body (3).



## 8. Individual settings

I/O A F E D C B	Unit/button:	Description:
	● A	Cubicle light button
	● B	MODE button
	● C	Bathing type LEDs
	- ● + D	Rotary knob Sauna temperature
	- ● + E	Rotary knob Softclima temperature
	- ● + F	Rotary knob Humidity

### 8.1. Sauna/Softclima temperatures



#### Sauna temperature

- ☞ Normal temperature 85 °C - 95 °C.
- ☞ The centre position of the sauna temperature control D corresponds to approx. 80 °C.

#### Softclima temperature

- ☞ Normal temperature 50 °C - 60 °C.
- ☞ The centre position of the Softclima temperature control E corresponds to approx. 55 °C.

The temperature sensor is mounted in the warm air stream above the sauna heater. An unavoidable temperature difference exists between the temperature sensor and the temperature display. Therefore, the temperature control knob has no marked scale.

### 8.2. Setting sauna temperature







#### Setting sauna temperature

1. Turn the sauna temperature control D clockwise as far as the stop.
  2. Observe the temperature display in the cabin.
  3. Has the desired temperature been reached? Slowly turn the sauna temperature control D anticlockwise.
- ☞ A soft click in the control system can be heard. Leave the sauna temperature control D in that position.

#### Readjusting sauna temperature

1. Readjust the sauna temperature control D to the desired temperature.
2. Mark the temperature that you find the most comfortable.

## 8. Individual settings

I/O A F E D C B	Unit/button: Description:	
	A	Cubicle light button
	B	MODE button
	C	Bathing type LEDs
	D	Rotary knob Sauna temperature
	E	Rotary knob Softclima temperature
	F	Rotary knob Humidity

### 8.3. Setting Softclima temperature

#### Setting Softclima temperature

1. Turn the Softclima temperature rotary knob E all the way to the right until the stop.
  2. Observe the temperature display in the cabin.
  3. Has the desired temperature been reached? Turn the Softclima temperature rotary knob E slowly to the left.
- ☞ A soft click in the control system can be heard. Leave the Softclima temperature rotary knob E in this position.

#### Readjusting Softclima temperature

1. Readjust the Softclima temperature control E to the desired temperature.
2. Mark the temperature that you find the most comfortable.

### 8.4. Setting the Softclima humidity

#### Setting the Softclima humidity

1. Set the desired humidity for the Softclima mode with the humidity rotary knob F.
- ☞ Adjust according to personal preferences. The humidity can be adjusted with the humidity rotary knob F any time during operation.

### 8.5. Setting the exhaust air flap for cabin ventilation (option)

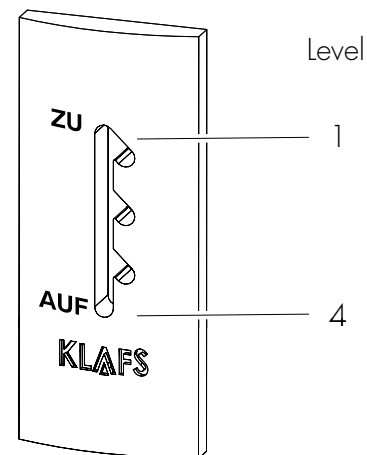
#### Heating up

Exhaust air flap, level 1.  
 With this position, there is only a low air flow.

#### Sauna mode

Exhaust air flap, level 4.  
 Bathing operation with maximum number of sauna users. With this position, there is a maximum air flow.

It is better to obtain a larger air flow volume for the sauna climate. Intermediate stages can be selected in accordance with the number of sauna users.



## 9. If something does not work

### 9.1. Error indication at bathing type LEDs



Repair and maintenance is to be carried out exclusively by Klafs' service personnel or by personnel expressly authorized by Klafs!

The following errors are indicated by simultaneous flashing of all LEDs.

No.	Display	Error
1	Fast flashing.	Error safety temperature limiter (STL).
2	Slow flashing.	Error temperature sensor.
3	Short flashing (0.1 sec On 0.9 sec. Off).	Error on one of the rotary control knobs of the control system.

### 9.2. Other possible errors

Error	Cause	Remedy
<b>The control system cannot be switched On.</b>	No operating voltage available.	Check the FI-switch and the fuse in the mains supply.
	Fuse SI102 or SI104 triggered.	Replace fuse SI102 (1.6 AT) or SI104 (1.0 AT) or contact Klafs Service.
<b>The cabin light does not turn On.</b>	The main switch of the control system is not switched On.	Switch On the main switch at the control system.
	Light bulb defective.	Procedure: Remove power from the control system. Change the light bulb. ☞ Replace with a light bulb of the same wattage.
	No mains voltage.	Check the FI-switch and the fuse in the mains supply.
	The Fuse SI103 light triggered.	Replace fuse SI103 light (0.6 AT) or contact Klafs Service.
<b>Evaporator does not heat.</b>	Acoustic signal on heater.	Fill water tank with water.
	Water tank is empty.	

## 10. Maintenance and Cleaning

### 10.1. Cleaning the sauna cabin

The high humidity level in Softclima mode does not harm the wood of your cubicle.  
The requirement is that the cabin is well aired out after usage.



Never hose down inner cabin walls, bench or seats with water or a high pressure cleaner!

#### Dirty benches

Wipe the wooden surfaces with a damp cloth.

If necessary, sand the surface of the benches with fine sandpaper.

The benches can also be washed off with a 3 %- hydrogen peroxide solution (available in specialized stores).



#### Disinfectants are highly corrosive!

Therefore, pay attention to the relevant safety regulations!  
Use household rubber gloves!



The outer cabin walls are impregnated or glazed.  
In no case glaze, paint or impregnate the inner panelling or the cabin inner walls and units (benches etc.).

# 10. Maintenance and Cleaning

## 10.2. Softclima

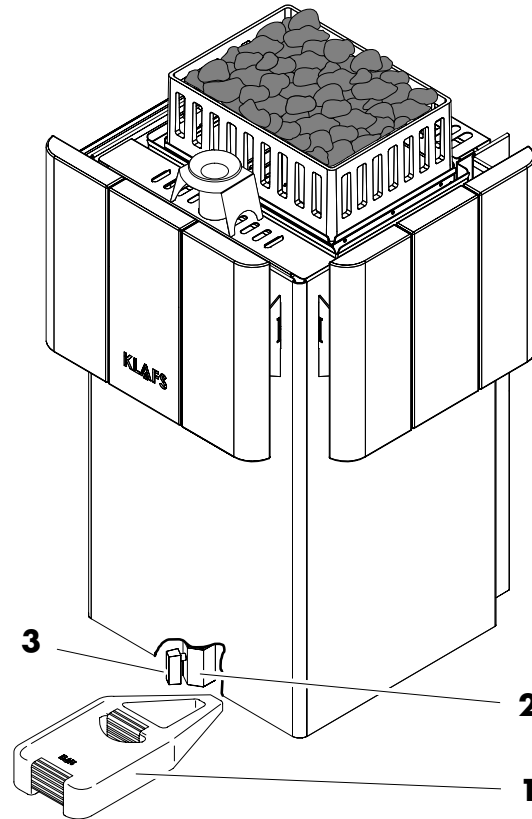


**Note!**

Only allow work to be done on electrical components/assemblies by qualified electricians that work in accordance with the prevailing electrotechnical rules and regulations.

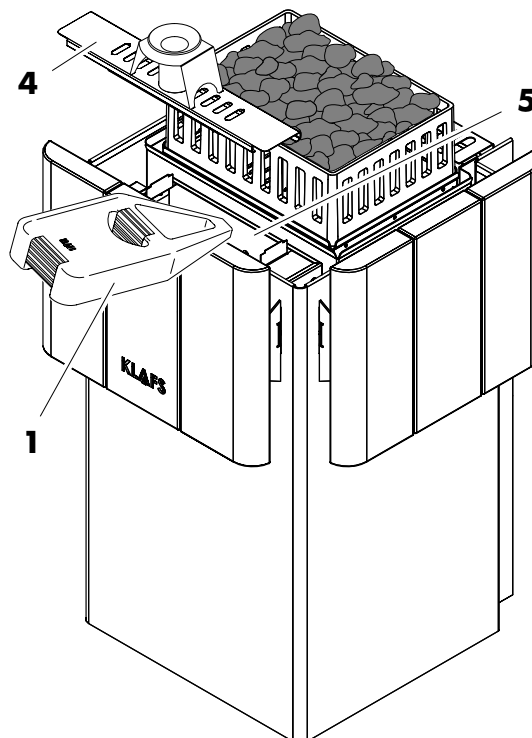
### Evaporator - draining

1. Place the filler can (1) under the discharge opening (2). Open the drain valve (3).
2. As soon as the evaporator is empty, close the drain valve (3).
3. Empty the filler can (1).



### Evaporator - decalcifying

4. Remove cover (4) of evaporator.
5. Fill the evaporator unit (5) with water.
6. Add approx. two tablespoons of normal household decalcifier (chlorine-free!) to the evaporator unit (5).
7. Allow the decalcifying mixture to work over night on the calcium layer, at least 12 hours. The decalcifying process can be easily repeated 2 - 3 times for the same length of time to ensure that the entire calcium deposit is dissolved.
8. Place cover (4) on evaporator.
9. Place the filler can (1) under the discharge opening (2). Open the drain valve (3). Drain water into the filler can (1).



### Evaporator - rinse

10. Close the drain valve (3).
11. Remove cover (4) of evaporator.
12. Fill the evaporator unit (5) with water.
13. Place the filler can (1) under the discharge opening (2). Open the drain valve (3).
14. After draining the evaporator, close the drain valve (3).
15. Repeat the rinsing procedure two or three times.
16. Place cover (4) on evaporator.



# 11. Notes

# 11. Notes

# 11. Notes

## 12. Addresses

**Wherever you are: Klafs is near you!  
We provide expert service.**

Klafs GmbH & Co. KG

**Parent company Germany:**

Erich-Klafs-Straße 1-3  
D-74523 Schwäbisch Hall  
Customer Service Tel. +49 791 501-220  
Accessories / Spare parts Tel. +49 791 501-310



You can also find  
many accessories in  
our online shop at  
[www.klafs.de](http://www.klafs.de)

**Switzerland:**

Klafs AG  
Oberneuhofstr. 11  
CH-6342 Baar/Zug  
Tel. +41 41 760 22 42

**Austria:**

Klafs GmbH  
Sonnwiesenweg 19  
A-6361 Hopfgarten/Tirol  
Tel. +43 5335 2330-0

**We hope your "Klafs Softclima with Control System Type 18043"  
brings you lots of fun, relaxation, well-being and rejuvenation.**

Subject to technical modifications.  
Reproduction in whole or in part is prohibited without the written permission of  
Klafs GmbH & Co. KG