



Operating Instructions

Klaf's Softclima with control unit type 16043 3

Manuel d'utilisation

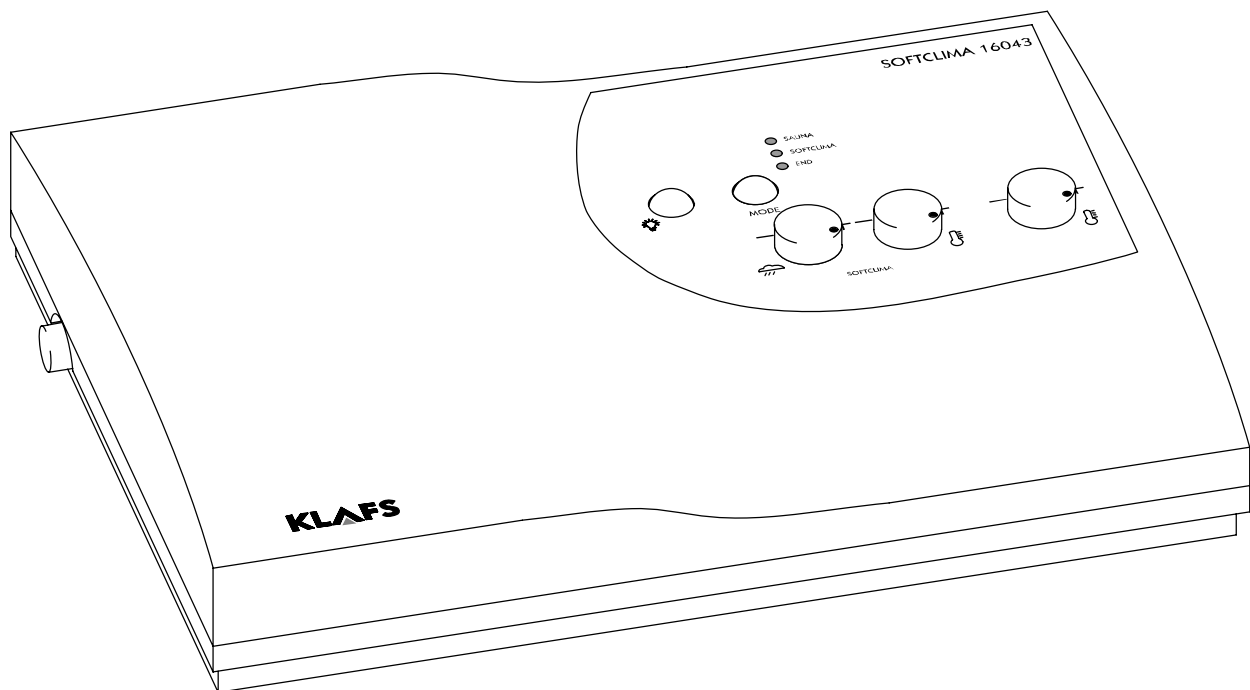
Climat doux Klaf's avec commande Type 16043 19

Instrucciones de operación

Clima suave de Klaf's con control tipo 16043 35

Operating Instructions

Klaf's Softclima with control unit type 16043



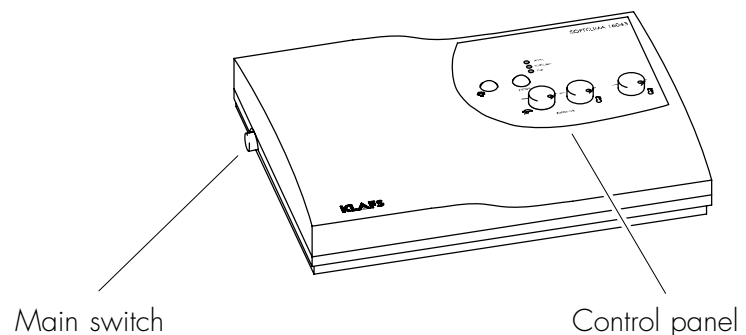
Contents

Page

1.	Quick reference guide - Softclima Control System 16043	5
2.	Intended Use	6
3.	General safety information	6
4.	Operation and display elements	7
5.	Operation	8
5.1.	Switching the cabin light On/Off	8
5.2.	Switching standby On/Off	8
5.3.	Starting the Sauna mode	8
5.4.	Starting the Softclima mode	8
5.5.	Changing the bathing mode	9
5.6.	Ending the Sauna mode	9
5.7.	Ending the Softclima mode	9
5.8.	PLURIS - Starting the evaporator	10
5.9.	PLURIS - Shutting down the evaporator	11
6.	Individual settings	12
6.1.	Sauna and Softclima bathing temperatures	12
6.2.	Setting the Sauna bathing temperature	12
6.3.	Setting the Softclima bathing temperature	13
6.4.	Setting the Softclima humidity	13
6.5.	Setting the exhaust air flap for cabin ventilation (option)	13
7.	If something does not work	14
7.1.	Error indication at operation mode LEDs	14
7.2.	Other possible errors	14
8.	Maintenance and Cleaning	15
8.1.	Softclima	16
9.	Notes	17
10.	Addresses	18

1. Quick reference guide - Softclima Control System 16043

The Klafs Softclima control system offers you the possibility to operate your sauna with high convenience. The bathing conditions can be changed within the allowed adjustment range before and during the operation.



Bathing type:

SAUNA operation

Sauna

With temperatures of 85 - 100 °C and a low relative humidity.

WARM AIR BATH

With extra mild climate, with temperatures of 45 - 60 °C and a relative humidity of up to approx. 20 %.

Softclima mode

Soft Steam Bath

As mild and damp bath, with temperatures of 50 - 60 °C and infinitely adjustable humidity. With the Soft Steam Bath, the temperature and the relative humidity is controlled by a microprocessor.

Herbal Bath

With same climate values as for soft steam bath, and additional evaporation of herbal extracts and scent extracts mixed with water. This improves the effect of the soft steam bath.

Taking a sauna in your Klafs sauna cabin should benefit your health and well-being.

Therefore: Don't overdo it! This applies to the temperature, the relative humidity and the bath duration. Orientate yourself not only on the given bathing times, but also on your condition. Leave the cabin as soon as you no longer feel well.

Technical data - Klafs Softclima Control System 16043

Control System Type 16043: 400 V 3 N, 50 - 60 Hz, max. 9 kW

Operating conditions: Temperature 0 °C to 40 °C, max. 80 % relative humidity.

2. Intended Use

The Softclima Control System 16043 is exclusively intended for the control of approved (registered by the Klafs with VDE or TÜV) sauna heaters and automatic evaporators (intended use).

Any other use is considered not in accordance with the terms of usage! The manufacturer is not responsible for damage resulting from other forms of usage; the user alone carries this risk. Proper and intended use and operation include compliance with the requirements for assembly, operation, maintenance and repair stipulated by the manufacturer.

The Softclima Control System 16043 may only be operated and maintained by persons, who are familiar with its usage and informed of the dangers involved. Follow the relevant German VDE regulations as well as other generally recognized safety rules. Damage resulting from arbitrary changes to the control system are excluded from the manufacturer's liability.

3. General safety information

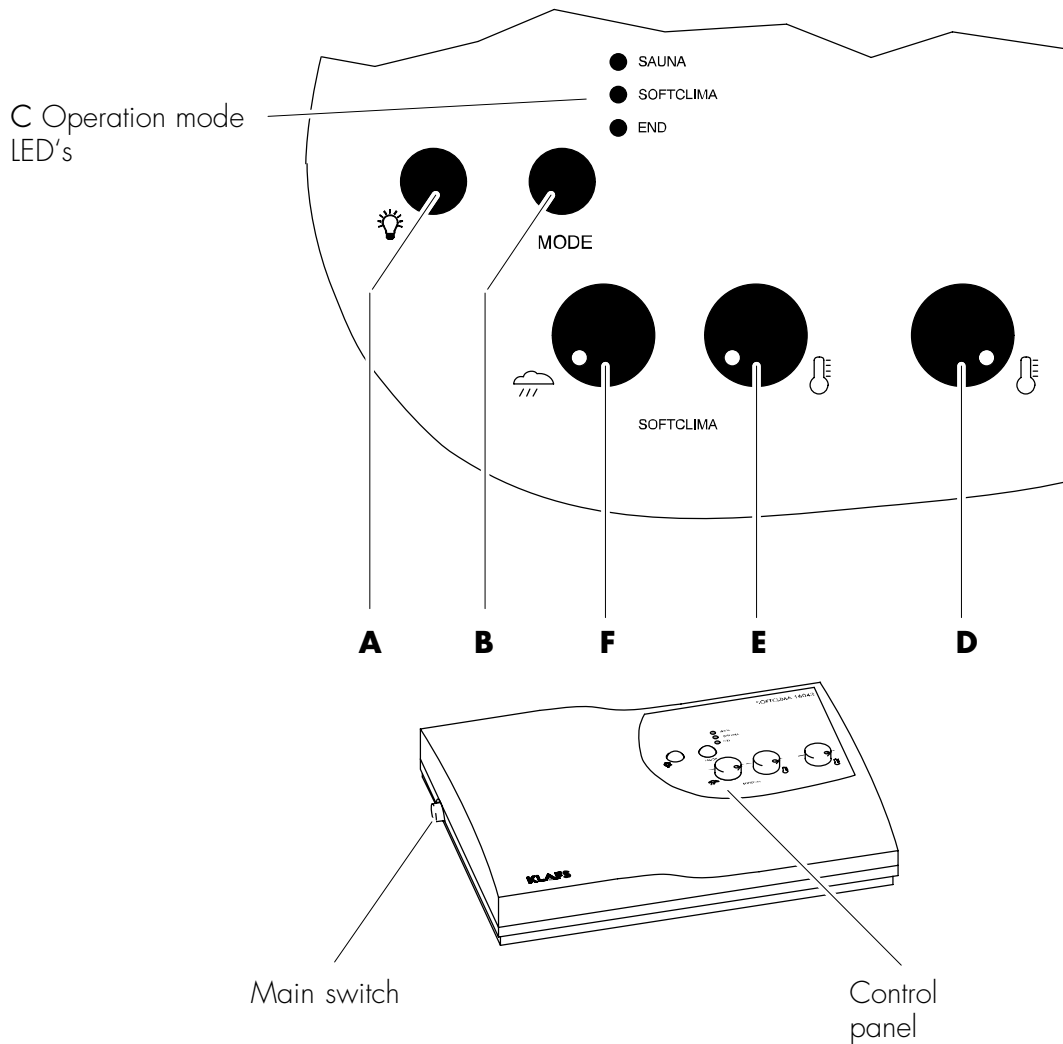
Read and observe the operating and safety instructions before start-up!



In these operating instructions all text passages concerning your safety are marked with this symbol. Pass all safety instructions on to other users.

- Before opening the control system housing remove the power from the control system!
- The control system may be connected to mains by a locally authorized electrician only!
- Sauna installations may be connected to mains with a fixed connection only according to VDE regulations. In the connecting feed line use a residual-current breaker (RCB) $I_{\Delta N} \leq 0.03 \text{ A}$ with min. 3 mm contact opening.
- Inform Klafs Customer Service of problems that a certified electrician cannot repair!
- Only use original Klafs spare parts!
- Arbitrary changes to the control system are not allowed!
- Install the control system, in accordance with the assembly instructions!
- Electrical wiring within the cabin and the cabin walls must have silicone insulation.
- Before activating the control system always make sure that no inflammable objects are on or near the sauna heater. FIRE RISK!
- Do not use the sauna to dry your laundry!
- Never pour concentrated aromatic oils or extracts directly onto the sauna heater. Only use the indicated concentration (approx. 20 - 30 drops to 1 liter of water)!
- Never pour herbal extracts, as used in Softclima mode, directly into the evaporator. Outside of the cabin, fill the fragrance bowl a quarter full with water and add the herbal extracts drop by drop in accordance with the instructions on the bottle. Then re-attach the fragrance bowl to the steam exit!
- As infusion agent it is only permissible to use Klafs' aromatic extract!
- Never store the bottle containing aromatic oils or infusion agent in the sauna cabin!
- Regularly check the sauna heater for damage.

4. Operation and display elements



Unit/button:	Description:	Function:
	Main switch (Control system housing at the left)	Control system standby On/Off switch. Permanently lit operation mode END LED signifies standby mode.
●	A Light switch	Cabin light On/Off switch. ☞ Only with main switch switched On.
●	B MODE button	Selection of operation mode: Sauna, Softclima or End of Program.
●	C Operation mode LEDs	Display selected operation mode.
● ⁺ ₋	D Rotary knob Sauna temperature	To set temperature - Sauna.
● ⁺ ₋	E Rotary knob Softclima temperature	To set temperature - Softclima bath.
● ⁺ ₋	F Rotary knob Humidity	To set Softclima bath humidity.

5. Operation

5.1. Switching the cabin light On/Off

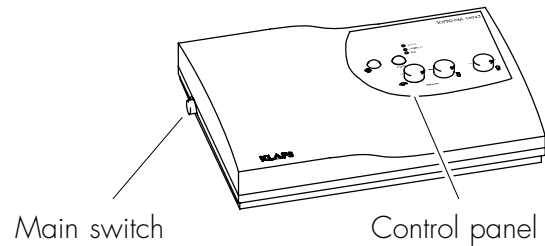
☞ Prerequisite: Switch On the main switch of the control system.

1. Press the  button.

5.2. Switching standby On/Off

1. Switch On the main switch at left side of the housing.

☞ With main switch On, the control system is in standby mode and the Softclima or Sauna mode can be started with the operating panel.



Prerequisite for the following operations:

☞ The control panel is switched to standby.

5.3. Starting the Sauna mode



FIRE RISK!

Before starting the control system, always check that there are no inflammable objects on or near the sauna heater.

1. Press the MODE button repeatedly, if necessary, until the operation mode Sauna LED illuminates.

◆ Setting the bathing temperature - see Section 6.2.

☞ The sauna heater switches On. The sauna is heated and is ready for bathing after the warm-up period.



After 4 and/or 6 hours, the sauna heater switches off automatically.
Delivery settings: 4 hours.

5.4. Starting the Softclima mode



FIRE RISK!

Before starting the control system, always check that there are no inflammable objects on or near the sauna heater.

1. Fill the water container of the Softclima heater before starting the Softclima mode.

◆ Fill the evaporator with water - see Section 5.8.

2. Press MODE button repeatedly, if necessary, until the operation mode Softclima LED illuminates.

◆ Setting the bathing temperature - see Section 6.2.

◆ Setting the humidity - see Section 6.4.

☞ The sauna heater switches On. The sauna is heated and is ready for bathing after the warm-up period.

5. Operation

5.5. Changing the bathing mode

The bathing mode can be changed during Sauna operation.

1. Press the MODE button repeatedly, if necessary, until the operation mode Sauna or Softclima LED illuminates.
 - ☞ A transition period of at least 20 minutes is necessary because of the different climatic conditions of the two forms of bathing.

5.6. Ending the Sauna mode

1. Press MODE button repeatedly, if necessary, until the operation mode END LED illuminates.
 - ☞ The sauna heater switches Off.
2. Switch Off the control system: Switch Off main switch on the left side of the control system.
 - ☞ The operation mode End LED goes out.
3. After the bath, temporarily open the cabin door and leave it open to air out the cabin.

5.7. Ending the Softclima mode

1. Press MODE button repeatedly, if necessary, until the operation mode END LED illuminates.
 - ☞ The sauna heater is switched Off and the 25-minute-follow-up program starts. During the follow-up program, the operation mode End LED flashes. As soon as the follow-up program has ended, the operation mode End LED is permanently lit.
2. Then switch Off the control system: Switch Off main switch on the left side of the control system.
 - ☞ The operation mode End LED goes out.
3. Drain the cooled-off water from the water tank of the Softclima heater.
 - ◆ Draining residual water - see Section 5.9.



Danger of burns!

Drain the water only after the heater has cooled off.

4. After the bath, temporarily open the cabin door and leave it open to air out the cabin.

5. Operation

5.8. PLURIS - Starting the evaporator



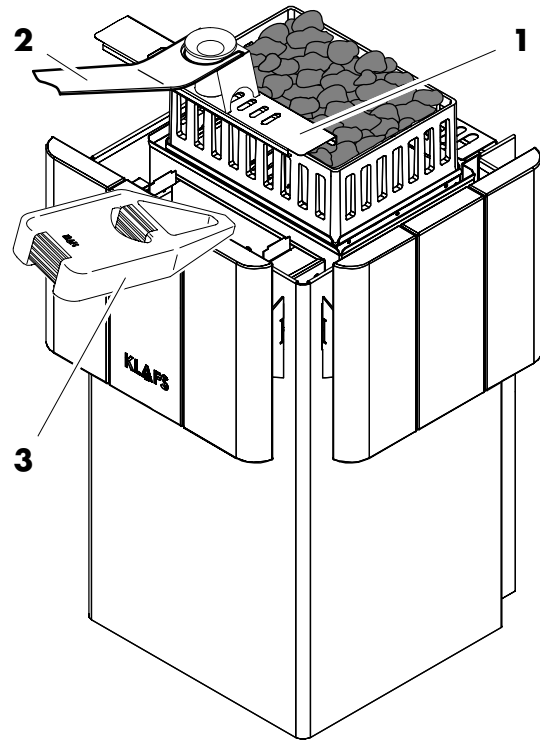
Risk of fire!

Before start-up, always check that there are no inflammable objects on or near the sauna heater.



Hot surfaces - Danger of burns!

Immediately after the bath the cover (1) is still hot. Protect hands and fingers from burns.



Fill the evaporator with water

1. Use the aroma fork (2) to remove the cover (1).
2. Fill the water container (3) with water via the port.
- ☞ Maximum filling capacity is 7 liters of water.
3. Put the cover (1) back on.

Add scent to the fragrance bowl



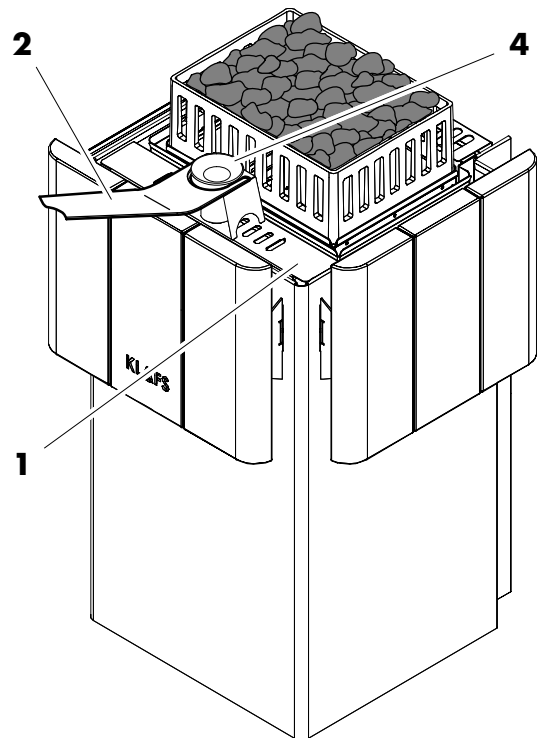
Hot surfaces - Danger of burns!

Immediately after the bath the cover (1) is still hot. Protect hands and fingers from burns.



Risk of fire!

Do not fill the fragrance bowl at the heater.



1. Use the aroma fork (2) to remove the cover (1).
2. Pour diluted scent into the fragrance bowl (4).
3. Put the cover (1) back on.

5. Operation

5.9. PLURIS - Shutting down the evaporator

Drain residual water



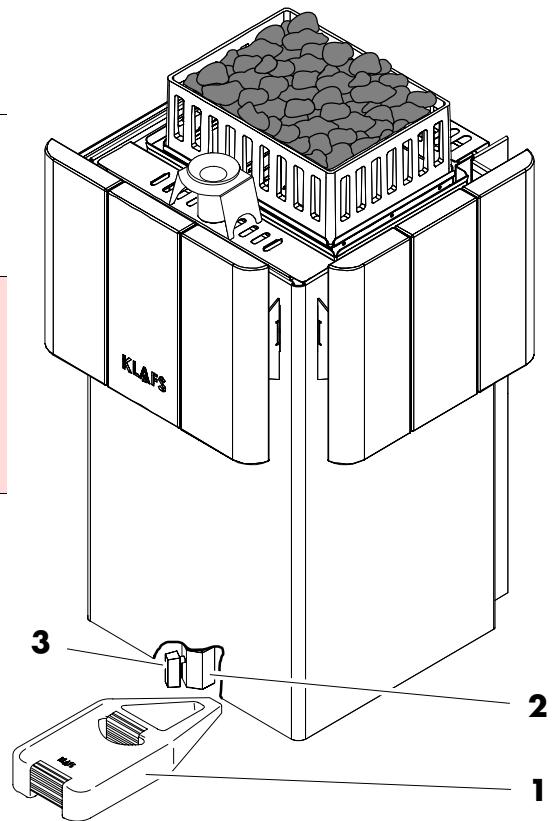
Drain residual water after every bath.



Hot surfaces - Danger of burns!

The residual water is still hot immediately after the bath.
Protect hands and fingers from burns

1. Place the filler can (1) under the discharge opening (2).
2. Open the drain valve (3).
3. As soon as the evaporator is empty, close the drain valve (3).
4. Empty the filler can (1).



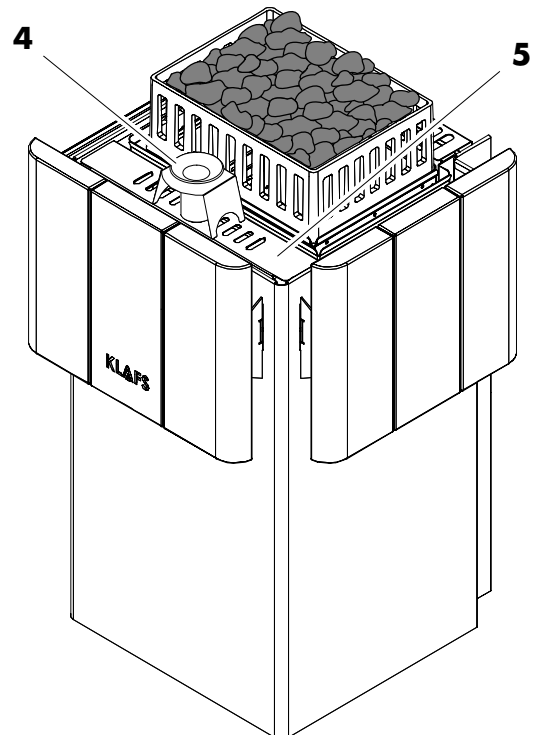
Empty the fragrance bowl



Hot surfaces - Danger of burns!

Immediately after the bath the fragrance bowl (4) is still hot.
Protect hands and fingers from burns.

1. Use the aroma fork to remove the fragrance bowl (4) from the cover (5).
2. Rinse the fragrance bowl with water.
3. Place the fragrance bowl (4) back on the cover (5).



6. Individual settings

		Unit/button:	Description:
		A	Light switch
		B	MODE button
		C	Operation mode LEDs
		D	Rotary knob Sauna temperature
		E	Rotary knob Softclima temperature
		F	Rotary knob humidity

6.1. Sauna and Softclima bathing temperatures



Sauna bathing temperature

- ☞ The standard bathing temperature is 85 °C - 95 °C.
- ☞ The center position of the temperature rotary knob D Sauna corresponds to approx. 80 °C.

Softclima bathing temperature

- ☞ The standard bathing temperature is 50 °C - 60 °C.
- ☞ The center position of the temperature rotary knob E Softclima corresponds to approx. 55 °C.

The temperature sensor is mounted in the warm air stream above the sauna heater. An unavoidable temperature difference exists between the temperature sensor and the temperature display. Therefore, the temperature rotary knob has no scribed scale.

6.2. Setting the Sauna bathing temperature

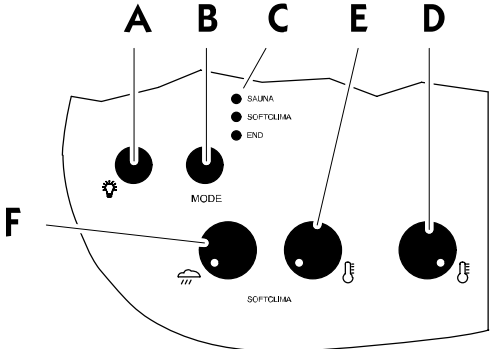
Setting the Sauna bathing temperature

1. Turn the rotary knob for the bathing temperature D all the way to the right until the stop.
 2. Observe the temperature display in the cabin.
 3. Has the desired bathing temperature been reached? Turn the temperature rotary knob D slowly to the left.
- ☞ A soft click in the control system can be heard. Leave the temperature rotary knob D in this position.

Adjusting the Sauna bathing temperature

1. Adjust the temperature rotary knob D to the desired bathing temperature.
2. Mark the bathing temperature that suits you most.

6. Individual settings

		Unit/button:	Description:
		A	Light switch
		B	MODE button
		C	Operation mode LEDs
		D	Rotary knob Sauna temperature
		E	Rotary knob Softclima temperature
		F	Rotary knob Humidity

6.3. Setting the Softclima bathing temperature

Setting the Softclima bathing temperature

1. Turn the Softclima temperature rotary knob E all the way to the right until the stop.
 2. Observe the temperature display in the cabin.
 3. Has the desired bathing temperature been reached? Turn the Softclima temperature rotary knob E slowly to the left.
- ☞ A soft click in the control system can be heard. Leave the Softclima temperature rotary knob E in this position.

Adjust the Softclima bathing temperature

1. Adjust the temperature rotary knob Softclima E to the desired bathing temperature.
2. Mark the bathing temperature that suits you most.

6.4. Setting the Softclima humidity

Setting the Softclima humidity

1. Set the desired humidity for the Softclima mode with the humidity rotary knob F.
- ☞ Adjust according to personal preferences. The humidity can be adjusted with the humidity rotary knob F any time during operation.

6.5. Setting the exhaust air flap for cabin ventilation (option)

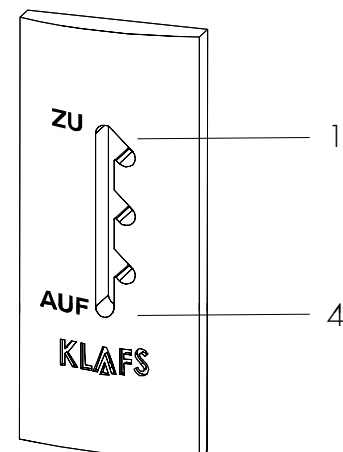
Heating mode

Exhaust air flap, level 1.
 With this position, there is only a low air flow.

Sauna mode

Exhaust air flap, level 4
 Bathing operation with maximum number of sauna users. With this position, there is a maximum air flow.

It is better to obtain a larger air flow volume for the sauna climate. Intermediate stages can be selected in accordance with the number of sauna users.



7. If something does not work

7.1. Error indication at operation mode LEDs



Repair and maintenance is to be carried out exclusively by Klafs' service personnel or by personnel expressly authorized by Klafs!

The following errors are indicated by simultaneous flashing of all LEDs.

No.	Display	Error
1	Fast flashing.	Error safety temperature limiter (STL).
2	Slow flashing.	Error temperature sensor.
3	Short flashing (0.1 sec On 0.9 sec. Off).	Error on one of the rotary control knobs of the control system.

7.2. Other possible errors

Error	Cause	Remedy
The control system cannot be switched On.	No mains voltage.	Check the FI-switch and the fuse in the mains supply.
The cabin light does not turn On	The main switch of the control system is not switched On.	Switch On the main switch at the control system.
	Bulb defective.	Procedure: Remove power from the control system. Change the bulb. ☞ Replace with a bulb of the same wattage.
	No mains voltage.	Check the FI-switch and the fuse in the mains supply.
	Fuse SI100 cut out.	Change the fuse SI100 (1.25 AT) or inform Klafs Service.
Evaporator does not heat.	Acoustic signal on heater.	Fill water tank with water.
	Water tank is empty.	

8. Maintenance and Cleaning

The high humidity during Softclima operation does not harm the wood of your cabin.
The requirement is that the cabin is well aired out after usage.

Never hose down inner cabin walls, bench or seats with water or a high pressure cleaner!



Recommendation: Cleaning the sauna cabin with cabin light.

☞ Prerequisite: Switch On the main switch of the control system.

Switch On light switch.

Dirty benches

Wipe the wooden surfaces with a damp cloth.

If necessary, sand the upper side of the benches with fine sandpaper.

The benches can also be washed off with a 3 %-hydrogen peroxide solution (available in specialized stores).



Disinfectants are highly corrosive!
Therefore, pay attention to the relevant safety regulations!
Use household rubber gloves!



The outer cabin walls are impregnated or glazed.
In no case glaze, paint or impregnate the inner panelling or the cabin inner walls and units (benches etc.).

8. Maintenance and Cleaning

8.1. Softclima

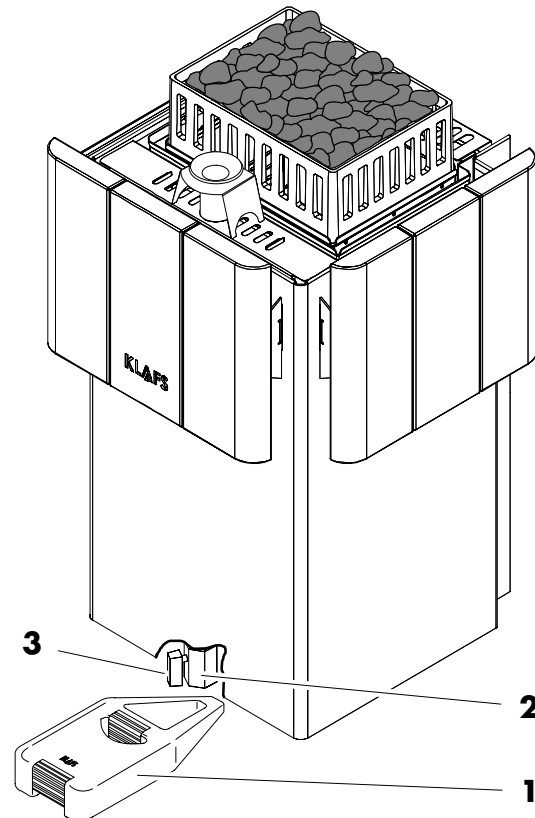


Note!

Only allow work to be done on electrical components/assemblies by qualified electricians that work in accordance with the prevailing electrotechnical rules and regulations.

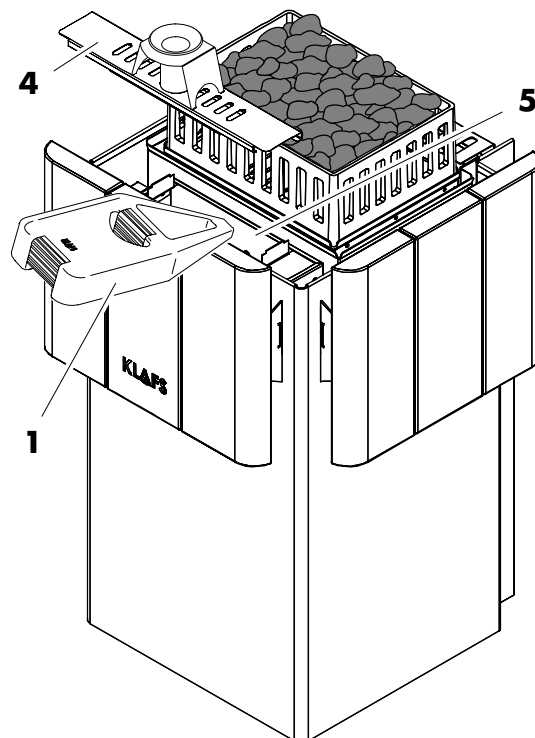
Evaporator - draining

1. Place the filler can (1) under the discharge opening (2). Open the drain valve (3).
2. As soon as the evaporator is empty, close the drain valve (3).
3. Empty the filler can (1).



Evaporator - decalcifying

4. Remove the cover (4) of evaporator.
5. Fill the evaporator unit (5) with water.
6. Add approx. two tablespoons of normal household decalcifier (chlorine-free!) to the evaporator unit (5).
7. Allow the decalcifying mixture to work overnight (at least 12 hours) on the calcified deposits. The decalcifying process can be easily repeated 2 - 3 times for the same length of time to ensure that the entire calcium deposit is dissolved.
8. Place cover (4) back on evaporator.
9. Place the filler can (1) under the discharge opening (2). Open the drain valve (3). Drain water into the filler can (1).



Evaporator - rinsing

10. Close the drain valve (3).
11. Remove the cover (4) of the evaporator.
12. Fill the evaporator unit (5) with water.
13. Place the filler can (1) under the discharge opening (2). Open the drain valve (3).
14. After draining the evaporator, close the drain valve (3).
15. Repeat the rinsing procedure two or three times.
16. Place cover (4) back on evaporator.

9. Notes

10. Addresses

**Wherever you are: Klafs is near you!
We provide expert service.**

Klafs GmbH & Co. KG

Parent company Germany:

Erich-Klafs-Straße 1-3
74523 Schwäbisch Hall
Customer Service Tel. +49 791 501-220
Accessories / Spare parts Tel. +49 791 501-310

You can also find
many accessories in
our online shop at
www.klafs.de

Switzerland:

Klafs AG
Oberneuhofstr. 11
CH-6342 Baar/Zug
Tel. +41 41 760 22 42

Austria:

Klafs GmbH
Sonnwiesenweg 19
A-6361 Hopfgarten/Tirol
Tel. +43 5335 2330-0

**We wish you many hours of enjoyment, well-being,
relaxation and recuperation with your "Klafs Softclima with
control unit type 16043".**

Subject to technical modifications.
Reproduction in whole or in part is prohibited without the written permission of
Klafs GmbH & Co. KG

Release 05.09

Article number 5070145

Manuel d'utilisation

Climat doux Klafs avec commande Type 16043

KLAFS
MY SAUNA AND SPA

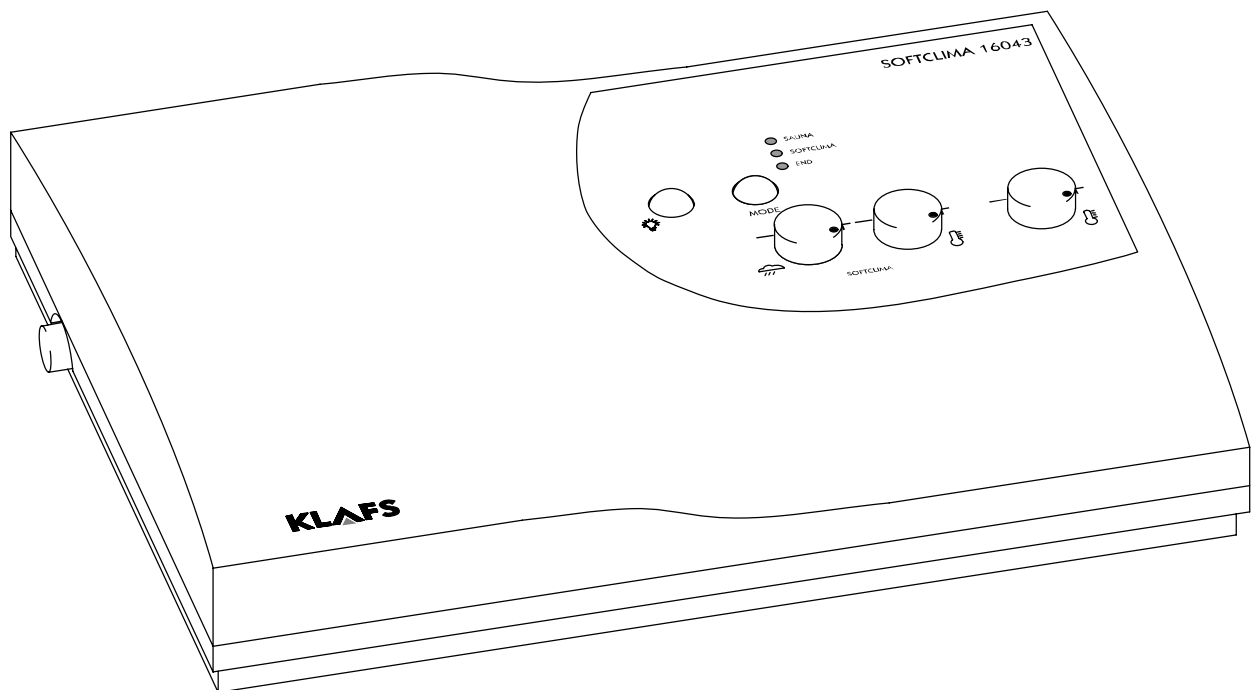


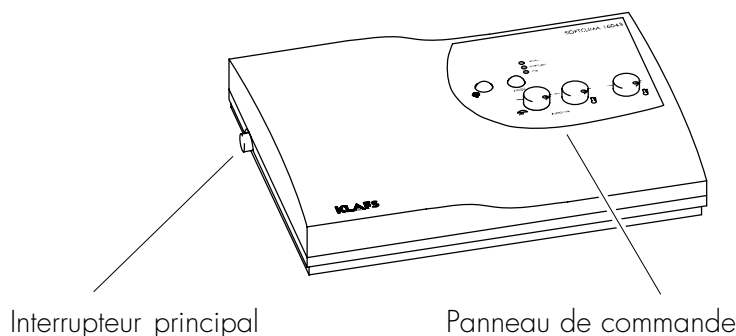
Table des matières

Page

1.	Description brève de la commande du Mode douceur 16043	21
2.	Utilisation conforme aux dispositions	22
3.	Consignes générales de sécurité	22
4.	Éléments de commande et d'affichage	23
5.	Utilisation	24
5.1.	Allumer/éteindre la lumière de la cabine	24
5.2.	Activer/désactiver le mode veille	24
5.3.	Démarrer le mode sauna	24
5.4.	Démarrer le mode douceur	24
5.5.	Modifier le mode de bain	25
5.6.	Quitter le mode sauna	25
5.7.	Quitter le mode douceur	25
5.8.	PLURIS - Mettre le diffuseur en service	26
5.9.	PLURIS - Mettre le diffuseur hors service	27
6.	Réglage individuel	28
6.1.	Températures de bain du sauna, du mode douceur	28
6.2.	Régler la température du bain de sauna	28
6.3.	Régler la température du bain en mode douceur	29
6.4.	Régler l'humidité de l'air en mode douceur	29
6.5.	Régler le clapet d'aération et d'évacuation d'air de la cabine (option)	29
7.	Si quelque chose ne fonctionne pas	30
7.1.	Affichage de défaillance sur les DEL mode d'opération	30
7.2.	Autres défauts possibles	30
8.	Maintenance et entretien	31
8.1.	Mode douceur	32
9.	Notices	33
10.	Adresses	34

1. Description brève de la commande du Mode douceur 16043

La commande de Klafs Mode douceur vous offre un grand confort d'utilisation. Les conditions de bain peuvent être modifiées avant et pendant le fonctionnement dans le cadre des réglages prévus.



Forme de bain :

Mode SAUNA

SAUNA

Avec des températures de 85 - 100 °C et une faible humidité relative de l'air.

BAIN A AIR CHAUD

Avec un climat particulièrement doux, des températures de 45 - 60 °C et une humidité relative de l'air jusqu'à env. 20 %.

Mode douceur

Hamam doux

En tant que bain doux et humide, avec des températures de 50 à 60 °C et humidité de l'air réglable en continu.

En mode hamam doux, les réglages de la température et de l'humidité relative de l'air sont commandés par des microprocesseurs.

Bain aux plantes

des valeurs de température et d'humidité semblables à celles du hamam doux avec, en plus, évaporation d'extraits de plantes et de substances aromatiques dilués dans l'eau. Ils permettent d'améliorer l'effet du hamam doux.

Les séances de sauna dans votre sauna Klafs doivent être utiles à votre santé et à la prévention des maladies.

Donc : Ne pas exagérer ! Ceci s'applique à la température, à l'humidité relative de l'air et à la durée du bain. Ne vous conformez pas uniquement aux temps de bain indiqués, mais soyez à l'écoute de votre bien-être. Quittez la cabine dès que vous ne vous sentez plus bien.

Caractéristiques techniques de la commande Klafs Mode douceur 16043

Commande type SL 16043: 400 V 3 N, 50 - 60 Hz, max. 9 kW

Conditions ambiantes : Température 0 °C à 40 °C, humidité relative de l'air 80 % max.

2. Utilisation conforme aux dispositions

La commande Mode douceur 16043 est exclusivement destinée à l'usage normal (utilisation conforme à l'usage prévu) pour la commande des poêles de sauna et des diffuseurs automatiques (enregistrés par la société Klafs auprès du VDE ou du TÜV).

Tout autre usage est déclaré non conforme ! Le fabricant n'est pas responsable des dommages pouvant en résulter ; l'utilisateur est lui seul responsable du risque. Pour une utilisation conforme à l'usage prévu, il faut également respecter les conditions de service, d'entretien et de maintenance prescrites par le fabricant.

La commande du mode douceur 16043 doit uniquement être utilisée et entretenue par des personnes qui sont familiarisées avec ces tâches et qui sont instruites des dangers. Respecter les prescriptions VDE correspondantes ainsi que les règles techniques de sécurité généralement reconnues. Des modifications arbitraires au niveau de la commande excluent la responsabilité du fabricant pour les dommages pouvant en résulter.

3. Consignes générales de sécurité

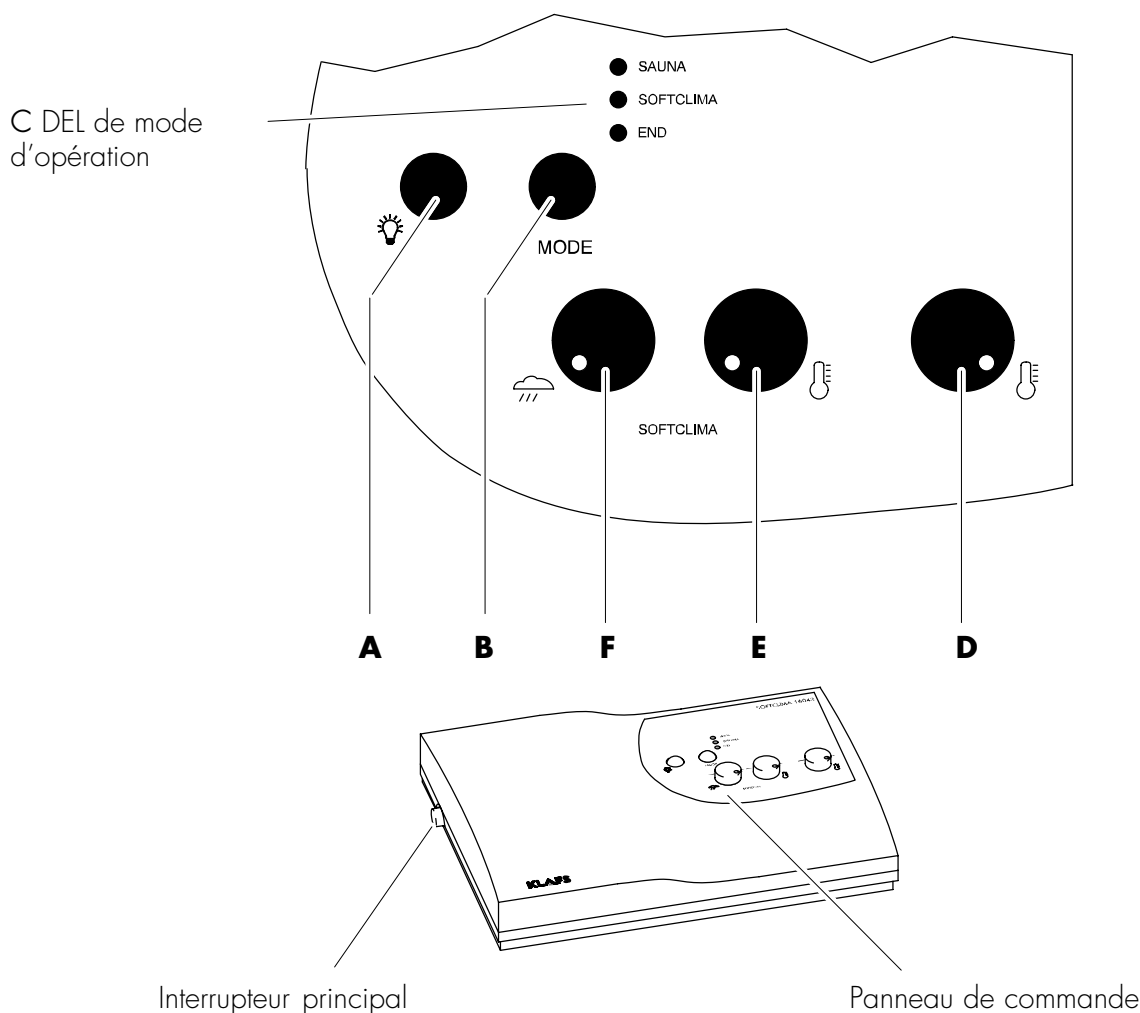
Avant la mise en service, lire et tenir compte du manuel d'utilisation et des consignes de sécurité !



Dans ce manuel d'utilisation, toutes les parties de texte concernant votre sécurité sont marquées de ce symbole. Transmettez toutes les consignes sécurité aux autres utilisateurs.

- Débrancher la commande du réseau avant l'ouverture du boîtier de commande !
- La commande peut seulement être raccordée au réseau par un électricien qualifié agréé !
- Ne raccorder les installations de sauna au réseau que par un branchement fixe selon les prescriptions VDE. Utiliser un interrupteur protecteur $I_{\Delta N} \leq 0,03$ A avec au moins 3 mm d'ouverture de contact.
- En cas de dérangements, qui ne peuvent être éliminés par un électricien qualifié agréé, informer le service après-vente de Klafs !
- N'utiliser que des pièces de rechange Klafs d'origine !
- Toute modification arbitraire de la commande est interdite !
- Exécuter le montage de la commande selon les instructions de montage !
- Les câbles électriques à l'intérieur de la cabine et des parois doivent être isolés à la silicone.
- Avant la mise en service de la commande, assurez-vous qu'il n'y a pas d'objets inflammables sur le poêle du sauna ou à proximité. RISQUE D'INCENDIE !
- Ne pas utiliser le sauna comme sèche-linge !
- Ne jamais utiliser les produits de diffusion sous forme concentrée. Utiliser uniquement les concentrations indiquées (env. 20 - 30 gouttes pour 1 litre d'eau) !
- Les essences de plantes utilisées en mode douceur ne doivent pas être mises directement dans l'appareil d'évaporation. En dehors de la cabine, remplir d'eau le quart de la coupelle à substances aromatiques et ajouter les essences de plantes goutte à goutte selon les indications figurant sur le flacon. Ensuite remettre la coupelle à substances aromatiques au niveau de la sortie de la vapeur !
- Comme produits de diffusion seuls les concentrés de Klafs sont autorisés !
- Ne jamais conserver la bouteille avec le produit de diffusion dans la cabine !
- Vérifier régulièrement que le poêle de sauna n'est pas endommagé.

4. Éléments de commande et d'affichage




Élément/ touche :	Désignation :	Fonction:
	Interrupteur principal (à gauche sur le boîtier de commande)	Activer/désactiver le mode veille de la commande. La DEL allumée en continu sur END indique que l'appareil est en mode veille.
●	A Touche lumière	Allumer/éteindre la lumière dans la cabine. ☞ A condition que l'interrupteur principal soit allumé.
●	B Touche MODE	Sélection du mode d'opération : Sauna, mode douceur ou fin de programme.
●	C DEL de mode d'opération	Afficher le mode d'opération sélectionné.
● ⁻ ● ⁺	D Bouton tournant température sauna	Régler la température du sauna.
● ⁻ ● ⁺	E Bouton tournant température mode douceur	Régler la température du mode douceur.
● ⁻ ● ⁺	F Bouton tournant humidité de l'air	Régler l'humidité de l'air du mode douceur.

5. Utilisation

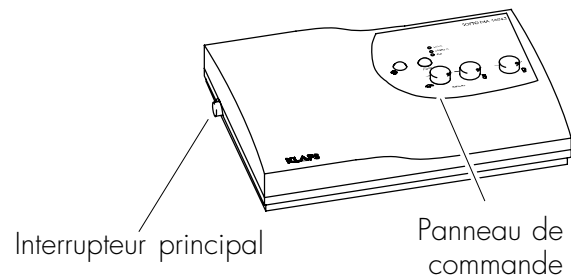
5.1. Allumer/éteindre la lumière de la cabine

☞ Condition préalable : Allumer l'interrupteur principal de la commande.

1. Appuyer sur la  touche.

5.2. Activer/désactiver le mode veille

1. Actionner l'interrupteur principal à gauche du boîtier.
- ☞ L'interrupteur principal étant activé, la commande se trouve en mode veille et il est possible de démarrer le mode douceur ou le mode sauna sur le panneau de commande.



Condition préalable d'utilisation de ce qui suit :

☞ La commande est en mode veille.

5.3. Démarrer le mode sauna



RISQUE D'INCENDIE !

Avant la mise en service de la commande, vérifier toujours qu'il n'y a pas d'objets inflammables sur le poêle du sauna ou à proximité.

1. Appuyer sur la touche MODE plusieurs fois, le cas échéant jusqu'à ce que la DEL mode d'opération Sauna s'allume.
- ◆ Réglage de la température de bain - voir chapitre 6.2.
- ☞ Le poêle de sauna se met en marche. Le sauna se chauffe et le bain est prêt à la fin du temps de chauffe.



Le poêle du sauna s'éteint automatiquement au bout de 4 à 6 heures.
Réglage à la livraison : 4 heures.

5.4. Démarrer le mode douceur



RISQUE D'INCENDIE !

Avant la mise en service de la commande, vérifier toujours qu'il n'y a pas d'objets inflammables sur le poêle du sauna ou à proximité.

1. Avant de démarrer le mode douceur, remplir d'eau la cuve d'eau du poêle de mode douceur.
- ◆ Remplir d'eau le diffuseur - voir chapitre 5.8.
2. Appuyer sur la touche MODE plusieurs fois, le cas échéant jusqu'à ce que la DEL mode d'opération Mode douceur s'allume.
- ◆ Réglage de la température de bain - voir chapitre 6.2.
- ◆ Réglage de l'humidité de l'air - voir chapitre 6.4.
- ☞ Le poêle de sauna se met en marche. Le sauna se chauffe et le bain est prêt à la fin du temps de chauffe.

5. Utilisation

5.5. Modifier le mode de bain

Le mode de bain peut être modifié au cours du bain de sauna.

1. Appuyer sur la touche **MODE** plusieurs fois, le cas échéant jusqu'à ce que la DEL mode d'opération **Sauna** ou **Mode douceur** s'allume.
- ☞ En cas des différences de conditions climatiques, il faut attendre au moins 20 minutes le passage d'une forme de bain à l'autre.

5.6. Quitter le mode sauna

1. Appuyer sur la touche **MODE** plusieurs fois, le cas échéant jusqu'à ce que la DEL mode d'opération **Fin** s'allume.
- ☞ Le poêle de sauna s'arrête.
2. Mettre la commande hors circuit : Actionner l'interrupteur principal vers la gauche sur la commande.
- ☞ La DEL mode d'opération **Fin** s'éteint.
3. Ouvrir la porte de la cabine à la fin du bain et la laisser ouverte quelques temps pour aérer.

5.7. Quitter le mode douceur

1. Appuyer sur la touche **MODE** plusieurs fois, le cas échéant jusqu'à ce que la DEL mode d'opération **Fin** s'allume.
- ☞ Le poêle de sauna s'éteint et le programme de marche par inertie d'une durée de 25 minutes démarre. Au cours du programme de marche par inertie, la DEL mode d'opération **Fin** clignote. Le programme de marche par inertie terminé, la DEL mode d'opération **Fin** est allumée en continu.
 2. Ensuite mettre la commande hors circuit : Actionner l'interrupteur principal vers la gauche sur la commande.

☞ La DEL mode d'opération **Fin** s'éteint.
 3. Vider l'eau refroidie se trouvant dans la cuve d'eau du poêle mode douceur.

▶ Vidanger l'eau résiduelle - voir chapitre 5.9.



Risque de brûlures !

Vider l'eau seulement après que le poêle est refroidi.

4. Ouvrir la porte de la cabine à la fin du bain et la laisser ouverte quelques temps pour aérer.

5. Utilisation

5.8. PLURIS - Mettre le diffuseur en service



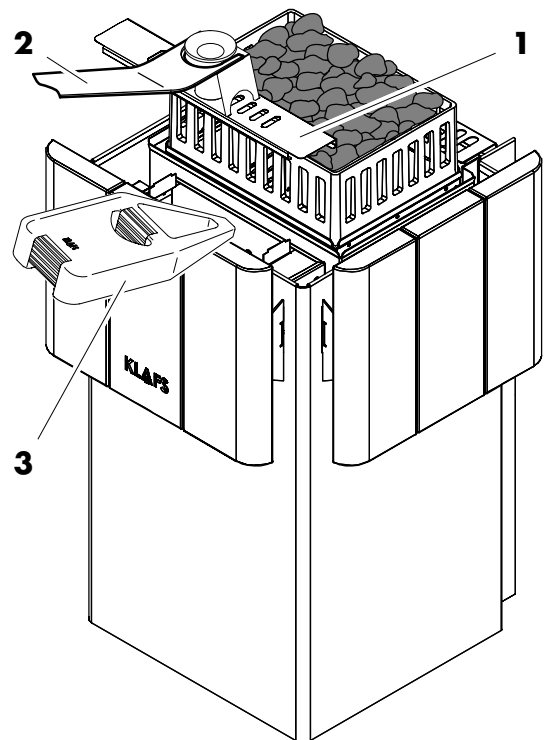
Risque d'incendie !

Avant la mise en marche, vérifier toujours qu'il n'y a pas d'objets inflammables sur le poêle du sauna ou à proximité.



Surfaces brûlantes - Risque de brûlures !

Le cache (1) est encore très chaud juste après le fonctionnement du bain. Se protéger les doigts et les mains contre les brûlures.



Remplir d'eau le diffuseur

1. Retirer le cache (1) à l'aide de la fourche à substances aromatiques (2).
2. Remplir le réservoir d'eau (3) au niveau de l'ouverture.
- ☞ Volume maximal 7 litres d'eau.
3. Remettre le cache (1).

Remplir la coupelle à substances aromatiques de substances aromatiques



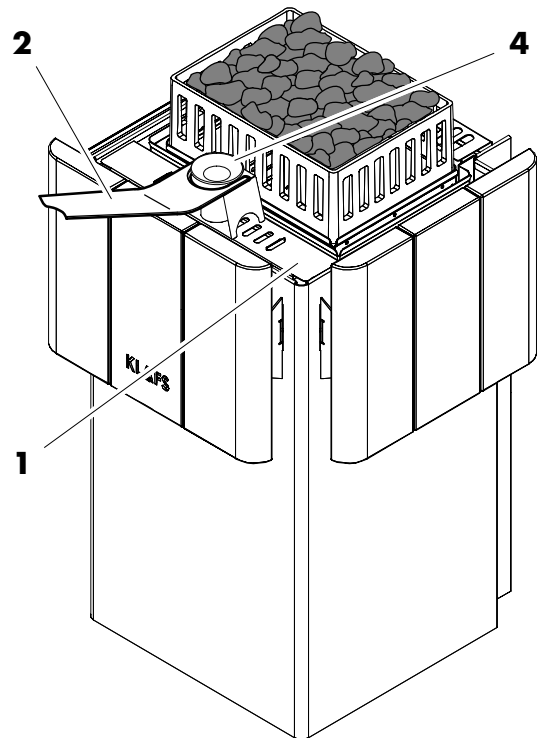
Surfaces brûlantes - Risque de brûlures !

Le cache (1) est encore très chaud juste après le fonctionnement du bain. Se protéger les doigts et les mains contre les brûlures.



Risque d'incendie !

Ne pas remplir la coupelle de substances aromatiques à côté du poêle.



1. Retirer le cache (1) à l'aide de la fourche à substances aromatiques (2).
2. Remplir la coupelle à substances aromatiques (4) de substances aromatiques diluées.
3. Remettre le cache (1).

5. Utilisation

5.9. PLURIS - Mettre le diffuseur hors service

Vider le reste d'eau



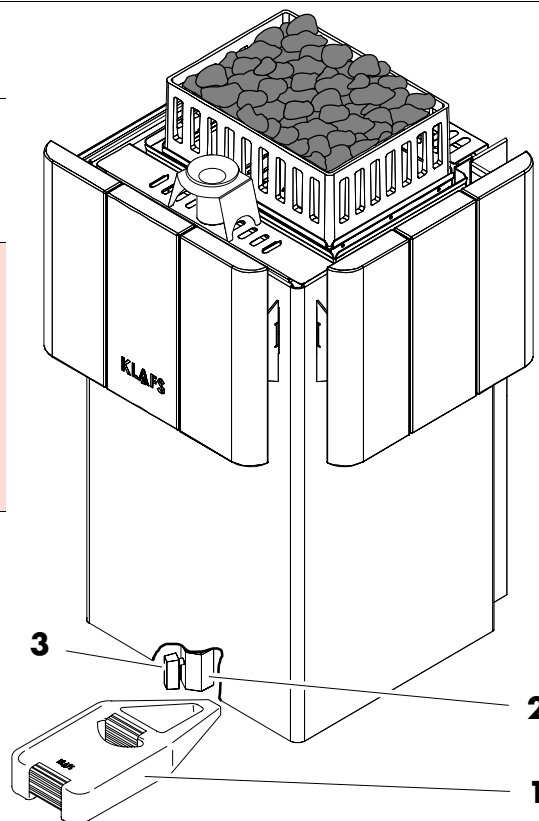
Vidanger l'eau résiduelle après chaque bain.



Surfaces brûlantes - Risque de brûlures !

Immédiatement après le bain l'eau résiduelle est encore chaude.
Se protéger les doigts et les mains contre les brûlures.

1. Mettre le broc de remplissage (1) au-dessous du robinet de vidange (2).
2. Ouvrir le robinet de vidange (3).
3. Une fois le diffuseur vidé, il faut refermer le robinet (3).
4. Vider le broc de remplissage (1).



Vider la coupelle à substances aromatiques

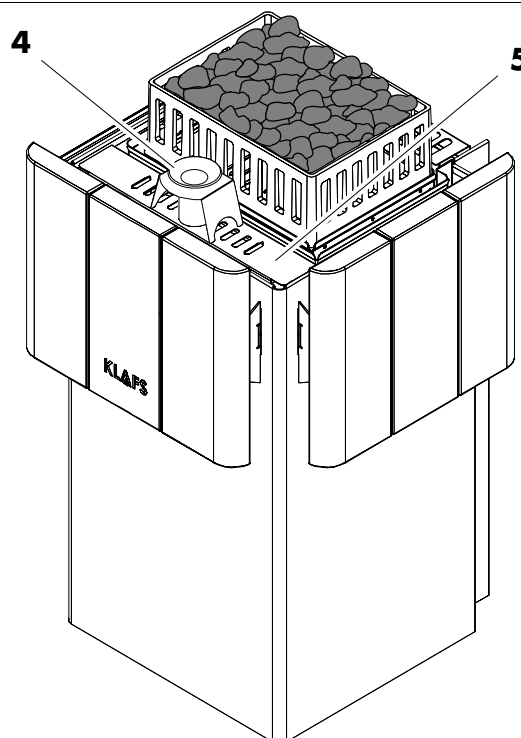


Surfaces brûlantes - Risque de brûlures !

La coupelle à substances aromatiques (4) est encore très chaude juste après le fonctionnement du bain.

Se protéger les doigts et les mains contre les brûlures.

1. Retirer la coupelle à substances aromatiques du cache (4) par la fourche à substances aromatiques (5).
2. Rincer à l'eau la coupelle à substances aromatiques.
3. Remettre la coupelle à substances aromatiques (4) sur le cache (5).



6. Réglage individuel

Elément/ touche :		Désignation :
	A	Touche lumière
	B	Touche MODE
	C	DEL mode d'opération
	D	Bouton tournant température sauna
	E	Bouton tournant température mode douceur
	F	Bouton tournant humidité de l'air

6.1. Températures de bain du sauna, du mode douceur



Température du bain du sauna

- ☞ La température normale de bain est de 85 °C - 95 °C.
- ☞ En position moyenne, le bouton tournant de température D du sauna est sur 80 °C env.

Température du bain en mode douceur

- ☞ La température normale de bain est de 50 °C - 60 °C.
- ☞ En position moyenne, le bouton tournant de température D du sauna est sur 55 °C env.

Le capteur de température est logé au-dessus du poêle de sauna dans le courant d'air chaud.

Il y a une différence de température inévitable entre le capteur de température et l'affichage de la température. C'est pourquoi, il n'y a pas d'échelle sur le bouton tournant de température.

6.2. Régler la température du bain de sauna

Régler la température du bain de sauna

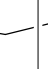
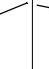
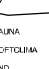

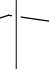

1. Tourner le bouton de réglage de la température D vers la droite jusqu'à la butée.
2. Observer l'affichage de la température dans la cabine.
3. La température du bain voulue est-elle atteinte ? Tourner lentement vers la gauche le bouton tournant de température D.

- ☞ Un petit claquement s'entend dans la commande. Laisser le bouton tournant de température D sur cette position.

Régler par après la température du bain du sauna

1. Régler par après la température du bain voulue sur le bouton tournant de température D.
2. Noter la température du bain qui vous est la plus agréable.

6. Réglage individuel

Elément/ touche :		Désignation :
	A	Touche lumière
	B	Touche MODE
	C	DEL mode d'opération
	D	Bouton tournant température sauna
	E	Bouton tournant température mode douceur
	F	Bouton tournant humidité de l'air

6.3. Régler la température du bain en mode douceur

Régler la température du bain en mode douceur

1. Tourner le bouton de réglage de la température mode douceur E vers la droite jusqu'à la butée.
2. Observer l'affichage de la température dans la cabine.
3. La température du bain voulue est-elle atteinte ? Tourner lentement vers la gauche le bouton tournant de température mode douceur E.

☞ Un petit claquement s'entend dans la commande. Laisser le bouton tournant de température E sur cette position.

Régler par après la température du bain mode douceur

1. Régler par après la température du bain voulue sur le bouton tournant de température E.
2. Noter la température du bain qui vous est la plus agréable.

6.4. Régler l'humidité de l'air en mode douceur

Régler l'humidité de l'air en mode douceur

1. Régler l'humidité de l'air voulue en mode douceur à l'aide du bouton tournant d'humidité de l'air F.

☞ Le réglage se fait en fonction du bien-être personnel. Il est possible de corriger le réglage de l'humidité pendant tout le bain à l'aide du bouton tournant d'humidité de l'air F.

6.5. Régler le clapet d'aération et d'évacuation d'air de la cabine (option)

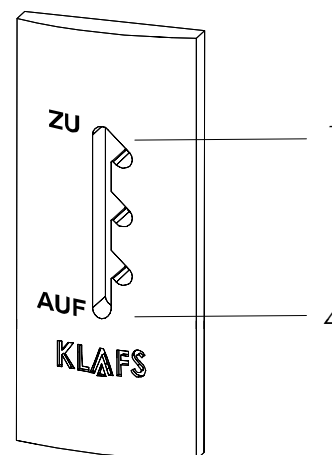
Mode chauffage

Clapet d'évacuation d'air, niveau 1.
Sur cette position, le débit d'air est faible.

Mode sauna

Clapet d'évacuation d'air, niveau 4.
Mode de bain cabine de sauna entièrement occupée. Sur cette position, le débit d'air est maximal.

En mode sauna, un débit d'air plus important est préférable. Sélectionner des positions intermédiaires en fonction de l'occupation du sauna.



7. Si quelque chose ne fonctionne pas ...

7.1. Affichage de défaillance sur les DEL mode d'opération



Faire exécuter les travaux de réparation et de maintenance uniquement par le personnel du service après-vente Klafs ou par quelqu'un autorisé par Klafs !

Les défaillances suivantes sont signalées par le clignotement simultané de toutes les DEL.

N°	Affichage	Défaillance
1	Clignotement rapide.	Erreur du limiteur de température de sécurité (STB).
2	Clignotement lent.	Erreur du capteur de température.
3	Clignotement court (allumé 0,1 s éteint 0,9 s).	Erreur sur un des boutons tournants de réglage de la commande.

7.2. Autres défauts possibles

Défaillance	Cause	Remède
La commande ne peut pas être mise en marche.	Pas de tension de réseau.	Vérifier l'interrupteur protecteur et le fusible de l'alimentation en courant.
La lumière de la cabine ne s'allume pas après la mise en circuit.	La commande n'est pas mise en circuit au niveau de l'interrupteur principal.	Allumer l'interrupteur principal de la commande.
	Eclairage défectueux.	Méthode : Débrancher la commande du réseau Remplacer l'éclairage. ☞ Mettre en place un éclairage de même puissance.
	Pas de tension de réseau.	Vérifier l'interrupteur protecteur et le fusible de l'alimentation en courant.
	Le fusible SI100 a sauté.	Remplacer le fusible SI100 (1,25 AT) ou informer le service après-vente de Klafs.
Diffuseur ne chauffe pas.	Signal acoustique sur le poêle.	Remplir la cuve d'eau.
	La cuve d'eau est vide.	

8. Maintenance et entretien

La forte humidité de l'air en mode douceur n'endommage pas le bois de votre cabine. Pour cela, il faut cependant que la cabine soit bien aérée après l'usage.

Ne jamais arroser d'eau les parois internes de la cabine ni les bancs ou sièges ni utiliser un nettoyeur haute pression !



Recommandation : Nettoyer la cabine de sauna à la lumière de la cabine.

☞ Condition préalable : Allumer l'interrupteur principal de la commande.

Appuyer sur le bouton de la lampe.

Bancs sales

Essuyer les surfaces en bois avec un chiffon humide.

Poncer si nécessaire les surfaces rugueuses des bancs avec un papier-émeri fin.

Les banquettes peuvent être lavées avec une solution d'eau oxygénée à 3 % (vendue dans le commerce).



Les désinfectants sont très caustiques !
Respectez les consignes de sécurité correspondantes !
Utilisez des gants en caoutchouc !



Les parois extérieures de la cabine sont recouvertes d'un glacié ou imprégnées.
Ne pas glacer, vernir ni imprégner en aucun cas l'équipement intérieur du sauna (bancs, etc.).

8. Maintenance et entretien

8.1. Mode doux

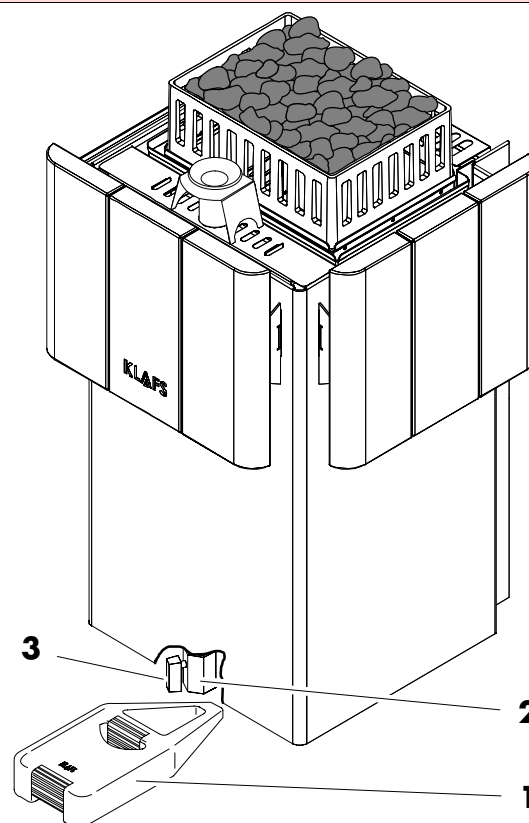


Remarque !

Les travaux sur les composants/groupes électriques doivent être effectués par des électriciens opérant suivant les règles de technique en électricité.

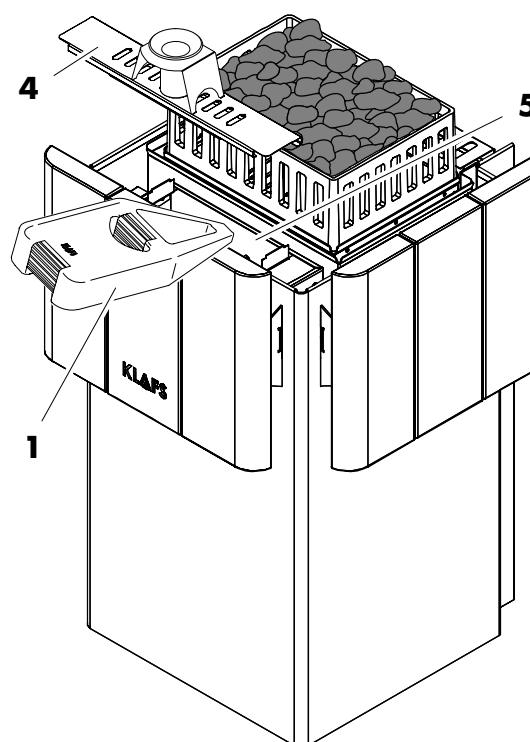
Vider le diffuseur

1. Mettre le broc de remplissage (1) au-dessous du robinet de vidange (2). Ouvrir le robinet de vidange (3).
2. Une fois le diffuseur vidé, il faut refermer le robinet (3).
3. Vider le broc de remplissage (1).



Diffuseur - Détartrer

4. Retirer le cache (4) sur le diffuseur.
5. Remplir d'eau le récipient du diffuseur (5).
6. Ajouter env. deux cuillères à soupe de détartrant ménager ordinaire (sans chlore) dans le récipient (5).
7. Laisser agir la solution détartrante sur la couche de calcaire durant la nuit, pendant 12 heures au moins. Il est possible de doubler ou tripler le temps d'action pour être sûr de dissoudre tous les dépôts calcaires.
8. Remettre le cache (4) sur le diffuseur.
9. Mettre le broc de remplissage (1) au-dessous du robinet de vidange (2). Ouvrir le robinet de vidange (3). Vidanger (1) dans le broc de remplissage.



Diffuseur - Rincer

10. Fermer le robinet de vidange (3).
11. Retirer le cache (4) sur le diffuseur.
12. Remplir d'eau le récipient du diffuseur (5).
13. Mettre le broc de remplissage (1) au-dessous du robinet de vidange (2). Ouvrir le robinet de vidange (3).
14. Une fois le diffuseur vidé, il faut refermer le robinet (3).
15. Répéter deux à trois fois le rinçage.
16. Remettre le cache (4) sur le diffuseur.

9. Notices

10. Adresses

**Klafs est partout à proximité.
Nous veillons à un service après-vente compétent.**

Klafs GmbH & Co. KG

Maison mère en Allemagne :

Erich-Klafs-Straße 1-3
74523 Schwäbisch Hall
Service clientèle Tel. +49 791 501-220
Accessoires / pièces de rechange Tel. +49 791 501-310

Vous trouverez de nombreux accessoires dans notre boutique en ligne sur www.klafs.de

Suisse :

Klafs AG
Oberneuhofstr. 11
CH-6342 Baar/Zug
Tel. +41 41 760 22 42

Autriche :

Klafs GmbH
Sonnwiesenweg 19
A-6361 Hopfgarten/Tirol
Tel. +43 5335 2330-0

Nous vous souhaitons beaucoup de plaisir avec votre "Climat doux Klafs avec commande Type 16043". Notre principale préoccupation étant votre santé, votre bien-être, votre relaxation et votre détente.

Sous réserve de modifications techniques.
Réimpression, même partielle, uniquement avec autorisation écrite de la Société Klafs GmbH & Co. KG

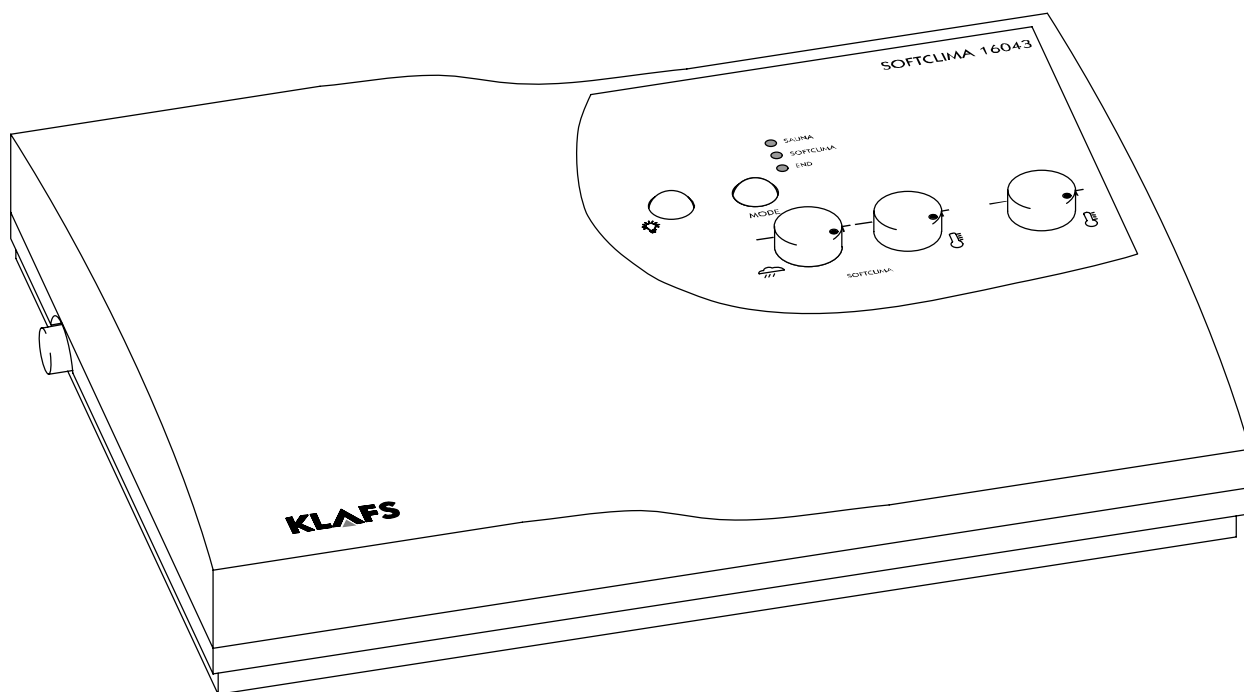
Mise à jour 05.09

Référence 5070145

Instrucciones de operación

Clima suave de Klafs con control tipo 16043

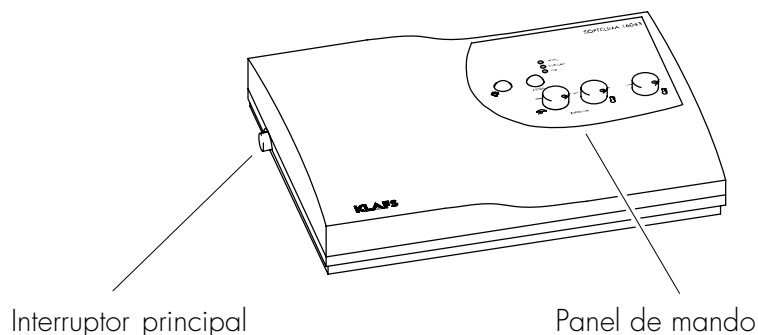
KLAFS
MY SAUNA AND SPA



1.	Descripción breve de la unidad de control del clima suave 16043	37
2.	Uso previsto	38
3.	Advertencias de seguridad generales	38
4.	Elementos de manejo y de indicación	39
5.	Manejo	40
5.1.	Conectar/desconectar la luz de la cabina	40
5.2.	Conectar/desconectar el modo de reposo	40
5.3.	Iniciar el servicio de sauna	40
5.4.	Iniciar el servicio de clima suave	40
5.5.	Cambiar el tipo de funcionamiento en modo de baño	41
5.6.	Finalizar el servicio de sauna	41
5.7.	Finalizar el servicio de clima suave	41
5.8.	PLURIS: Poner en servicio el evaporador	42
5.9.	PLURIS: Poner fuera de servicio el evaporador	43
6.	Ajustes individuales	44
6.1.	Temperaturas del baño para la sauna y el clima suave	44
6.2.	Ajustar la temperatura del baño de la sauna	44
6.3.	Ajustar la temperatura del baño del clima suave	45
6.4.	Ajustar la humedad del aire del clima suave	45
6.5.	Ajustar la tapa de aire residual para la ventilación y aireación de la cabina (opción)	45
7.	Si hay algo que no funciona correctamente	46
7.1.	Indicación de anomalía en los LEDs del modo de servicio	46
7.2.	Otros fallos posibles	46
8.	Mantenimiento y conservación	47
8.1.	Clima suave	48
9.	Notas	49
10.	Direcciones	52

1. Descripción breve de la unidad de control del clima suave 16043

La unidad de control de clima suave de Klafs ofrece la posibilidad de operar la sauna de forma confortable. Las condiciones de baño se pueden cambiar antes y durante el funcionamiento en modo de baño dentro del marco de las gamas de ajuste.



Forma de baño:

Modo SAUNA

SAUNA

Con temperaturas entre 85 - 100 °C y una humedad del aire relativamente baja.

BAÑO DE AIRE CALIENTE

Con un ambiente particularmente suave, temperaturas entre 45 - 60 °C y una humedad relativa del aire de hasta aproximadamente el 20 %.

Servicio de clima suave

Baño de vapor suave

Como baño suave y húmedo, con temperaturas de 50 - 60 °C y una humedad del aire de ajuste continuo.

En el baño de vapor suave se controla la temperatura y la humedad del aire relativa por medio de una unidad de control de microprocesador.

Baño de hierbas

Con los mismos valores climáticos que el baño de vapor suave, pero adicionalmente con la evaporación de extractos de sustancias aromáticas de alta calidad mezcladas con agua. De este modo se puede mejorar el efecto del baño de vapor suave.

La utilización de la sauna Klafs debe servir para mejorar la salud presente y futura.

Por eso: ¡No excederse! Lo mismo es aplicable a la temperatura, la humedad del aire relativa y la duración del baño. No sólo fijarse en los tiempos de baño recomendados, sino también en el bienestar personal. Salir de la cabina al dejar de encontrarse bien.

Datos técnicos de la unidad de control del clima suave de Klafs 16043

Unidad de control del tipo 16043: 400 V 3 N, 50-60 Hz, máx. 9 kW

Condiciones ambientales: Temperatura de 0 °C a 40 °C, máxima humedad del aire 80 %.

2. Uso previsto

La unidad de control del clima suave 16043 se ha diseñado para un uso convencional como control de hornos de sauna y autómatas de evaporación homologados (que han sido dados de alta por la empresa Klafs en el VDE o TÜV).

¡Cualquier otro uso se considerará como no conforme a lo prescrito! El fabricante no responde a los daños resultantes de tales usos; el riesgo corre íntegramente a cargo del usuario. El uso previsto también implica cumplir las condiciones impuestas por el fabricante para el funcionamiento, mantenimiento y conservación.

El manejo, el mantenimiento y la conservación de la unidad de control del clima suave 16043 sólo se debe encomendar a personas que estén familiarizadas con estas operaciones y que conozcan en detalle los peligros. Se deben cumplir las prescripciones VDE y las demás normas generales reconocidas en razón de seguridad. Las modificaciones sin autorización en la unidad de control eximen al fabricante de cualquier responsabilidad en los posibles daños resultantes.

3. Advertencias de seguridad generales

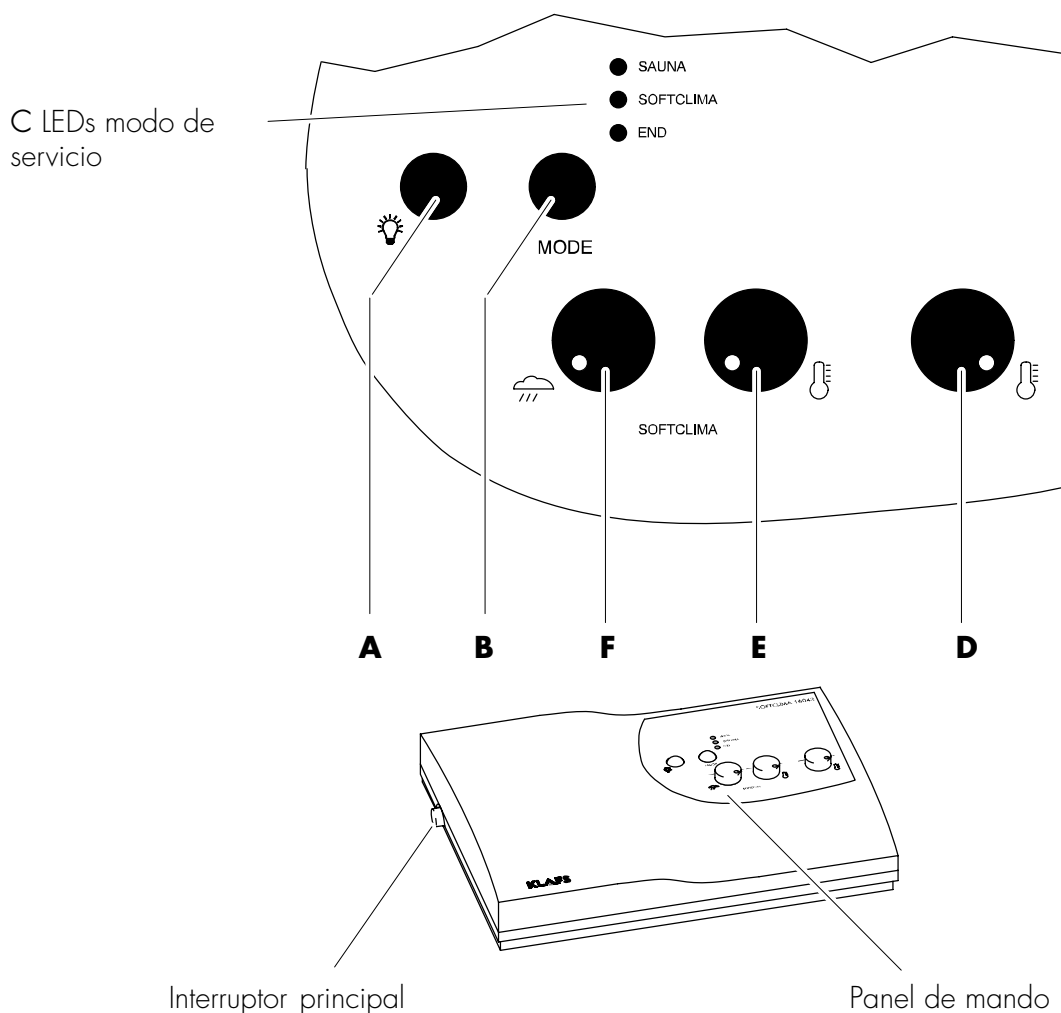
¡Antes de la puesta en servicio se deben leer y tener en cuenta las instrucciones de servicio y las advertencias de seguridad!



En las presentes instrucciones de servicio se han identificado todas las partes del texto que se refieren a la seguridad con este símbolo. Facilitar todas las instrucciones de seguridad también a los demás usuarios.

- ¡Antes de abrir la carcasa de la unidad de control se deberá desenchufar la unidad de control de la red eléctrica!
- La conexión de la unidad de control sólo deberá llevarla a cabo un técnico electricista local homologado.
- Conectar las instalaciones de la sauna a la red eléctrica sólo conforme a las normas VDE y mediante una conexión fija. En la línea de alimentación se debe utilizar un interruptor contra caídas de tensión $I_{\Delta N} \leq 0,03 A$ con al menos 3 mm de abertura de contactos.
- ¡En caso de anomalías que no puedan ser eliminadas por un electricista especializado autorizado ponerse en contacto con el servicio de asistencia técnica de Klafs!
- ¡Utilizar sólo piezas de recambio originales de Klafs!
- ¡Queda expresamente prohibido realizar cualquier modificación arbitraria en la unidad de control!
- ¡Efectuar el montaje de la unidad de control según las instrucciones de montaje!
- Las líneas eléctricas dentro de la cabina y de las paredes de la cabina deben estar aisladas con silicona.
- Asegurarse siempre antes de la puesta en servicio de la unidad de control que no se encuentren objetos inflamables encima o cerca del horno de la sauna. ¡PELIGRO DE INCENDIO!
- ¡No se debe utilizar la sauna para secar ropa!
- Jamás se deben verter las sustancias aditivas de forma concentrada. ¡Utilizar sólo las concentraciones indicadas (aproximadamente 20 - 30 gotas para 1 litro de agua)!
- Jamás se deben añadir los extractos de hierbas que se utilizan para el servicio de clima suave directamente en el evaporador. Llenar con agua una cuarta parte de la copa de evaporador fuera de la cabina y añadir gota a gota los extractos de hierbas según la indicación en la botella. ¡A continuación se debe volver a montar la copa de evaporador en la salida de vapor!
- ¡Como sustancias aditivas sólo se admiten los extractos aditivos de Klafs!
- ¡Jamás se debe guardar la botella con la sustancia aditiva en la cabina!
- Controlar el horno de sauna periódicamente respecto a daños.

4. Elementos de manejo y de indicación



Elemento /tecla:	Designación:	Función:
	Interrupor principal (a la izquierda de la carcasa de la unidad de control)	Conectar/desconectar el modo de reposo de la unidad de control. La luz continua en el LED modo de servicio End corresponde al modo de reposo.
● A	Tecla para luz	Conectar/desconectar la luz de la cabina. ☞ Sólo con el interrupor principal conectado.
● B	Tecla MODO	Selección del modo de servicio: sauna, clima suave o fin del programa.
● C	LEDs modo de servicio	Indicar el modo de servicio seleccionado.
● D	Botón giratorio para la temperatura de la sauna	Ajustar la temperatura de la sauna.
● E	Botón giratorio para la temperatura del clima suave	Ajustar la temperatura para el baño de clima suave.
● F	Botón giratorio para la humedad del aire	Ajustar la humedad del aire para el baño de clima suave.

5. Manejo

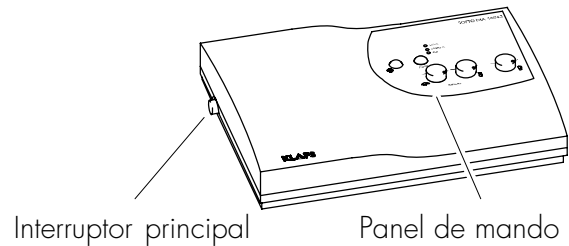
5.1. Conectar/desconectar la luz de la cabina

☞ Condición previa: Conectar el interruptor principal de la unidad de control.

1. Pulsar la tecla .

5.2. Conectar/desconectar el modo de reposo

1. Accionar el interruptor principal a la izquierda de la carcasa.
- ☞ Con el interruptor principal conectado, la unidad de control se encuentra en el modo de reposo y se puede iniciar el servicio de clima suave o el servicio de sauna a través del panel de mando.



Requisito para el siguiente manejo:

☞ La unidad de control se encuentra en el modo de reposo.

5.3. Iniciar el servicio de sauna



¡PELIGRO DE INCENDIO!

Controlar siempre antes de la puesta en servicio de la unidad de control que no se encuentren objetos inflamables en el horno de sauna o cerca de la misma.

1. Si fuera necesario, pulsar la tecla MODO repetidamente hasta que se ilumine el LED modo de servicio de Sauna.
- ◆ Ajuste de la temperatura de baño: Ver el capítulo 6.2.
- ☞ El horno de sauna se conecta. La sauna se calienta y se encuentra preparada para el baño una vez transcurrido el tiempo de calentamiento.



El horno de sauna se desconecta automáticamente al cabo de 4 ó 6 horas.
Ajuste de entrega: 4 horas.

5.4. Iniciar el servicio de clima suave



¡PELIGRO DE INCENDIO!

Controlar siempre antes de la puesta en servicio de la unidad de control que no se encuentren objetos inflamables en el horno de sauna o cerca de la misma.

1. Antes de comenzar el servicio de clima suave, se debe llenar el depósito de agua del horno de clima suave con agua.
- ◆ Llenar el evaporador con agua: Ver el capítulo 5.8.
2. Si fuera necesario, pulsar la tecla MODO repetidamente hasta que se ilumine el LED modo de servicio Clima suave.
- ◆ Ajustar la temperatura de baño: Ver el capítulo 6.2.
 - ◆ Ajustar la humedad del aire: Ver el capítulo 6.4.
- ☞ El horno de sauna se conecta. La sauna se calienta y se encuentra preparada para el baño una vez transcurrido el tiempo de calentamiento.

5. Manejo

5.5. Cambiar el tipo de funcionamiento en modo de baño

El tipo de funcionamiento en modo de baño se puede cambiar durante el servicio de la sauna en funcionamiento.

1. Si fuera necesario, pulsar la tecla MODO repetidamente hasta que se ilumine el LED modo de servicio de Sauna o Clima suave.
- ☞ Debido a las diferentes situaciones climáticas de las dos formas de baño, se requiere un tiempo de adaptación de al menos 20 minutos.

5.6. Finalizar el servicio de sauna

1. Si fuera necesario, pulsar la tecla MODO repetidamente hasta que se ilumine el LED modo de servicio End.
- ☞ El horno de sauna se desconecta.
2. Desconectar la unidad de control: Accionar el interruptor principal a la izquierda de la unidad de control.
- ☞ El LED modo de servicio End se apaga.
3. Después de finalizar el funcionamiento en modo de baño, abrir y dejar abierta la puerta un tiempo para facilitar la aireación.

5.7. Finalizar el servicio de clima suave

1. Si fuera necesario, pulsar la tecla MODO repetidamente hasta que se ilumine el LED modo de servicio End.
- ☞ El horno de sauna se desconecta y se inicia el programa de inercia cuya duración es de 25 minutos. Durante el servicio del programa de inercia parpadea el LED modo de servicio End. Una vez finalizado el programa de inercia, se ilumina el LED modo de servicio End con luz continua.
2. A continuación, desconectar la unidad de control: accionar el interruptor principal a la izquierda de la unidad de control.
- ☞ El LED modo de servicio End se apaga.
3. Evacuar el agua fría del depósito de agua del horno de clima suave.
- ▶ Evacuar el agua restante: ver el capítulo 5.9.



¡Peligro de quemaduras!

No se debe evacuar el agua antes de que se haya enfriado el horno.

4. Después de finalizar el funcionamiento en modo de baño, abrir y dejar abierta la puerta un tiempo para facilitar la aireación.

5. Manejo

5.8. PLURIS: Poner en servicio el evaporador



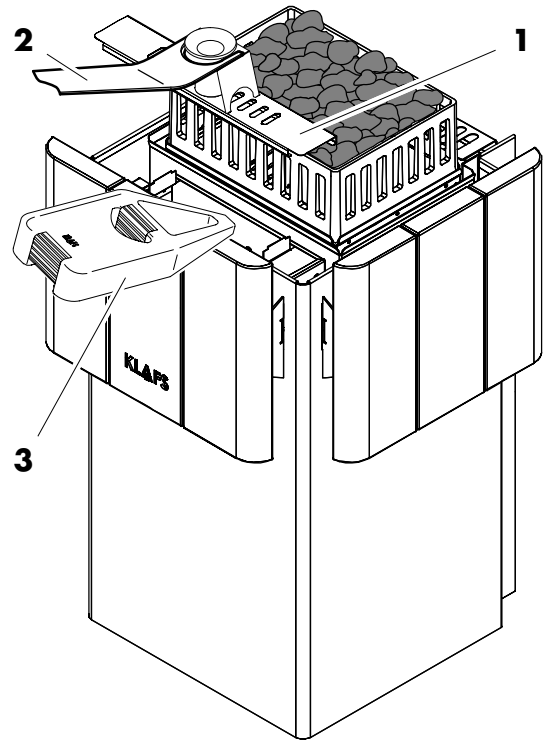
¡Peligro de incendio!

Controlar siempre antes de la puesta en servicio que no se encuentren objetos inflamables en el horno de sauna o cerca de la misma.



Superficies calientes: ¡Peligro de quemaduras!

La cubierta (1) aún está caliente directamente después del funcionamiento en modo de baño. Proteger los dedos y las manos frente a quemaduras.



Llenar el evaporador con agua

1. Retirar la cubierta (1) con la ayuda de la horquilla aromática (2).
2. Llenar el depósito de agua (3) a través de la abertura con agua.
- ☞ Cantidad de llenado máxima 7 litros de agua.
3. Volver a colocar la cubierta (1).

Llenar la copa de evaporador con las sustancias aromáticas



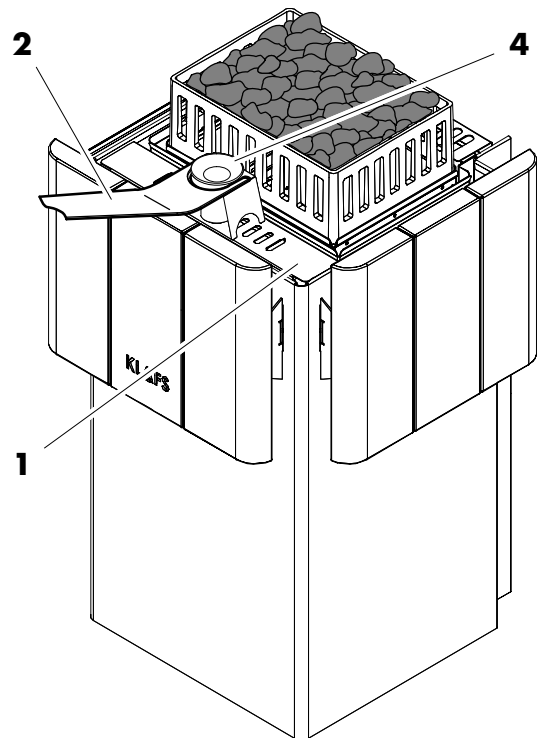
Superficies calientes: ¡Peligro de quemaduras!

La cubierta (1) aún está caliente directamente después del funcionamiento en modo de baño. Proteger los dedos y las manos frente a quemaduras.



¡Peligro de incendio!

No se debe llenar la copa de evaporador cerca del horno.



1. Retirar la cubierta (1) con la ayuda de la horquilla aromática (2).
2. Llenar la copa de evaporador (4) con sustancias aromáticas diluidas.
3. Volver a colocar la cubierta (1).

5. Manejo

5.9. PLURIS: Poner fuera de servicio el evaporador

Evacuar el agua restante



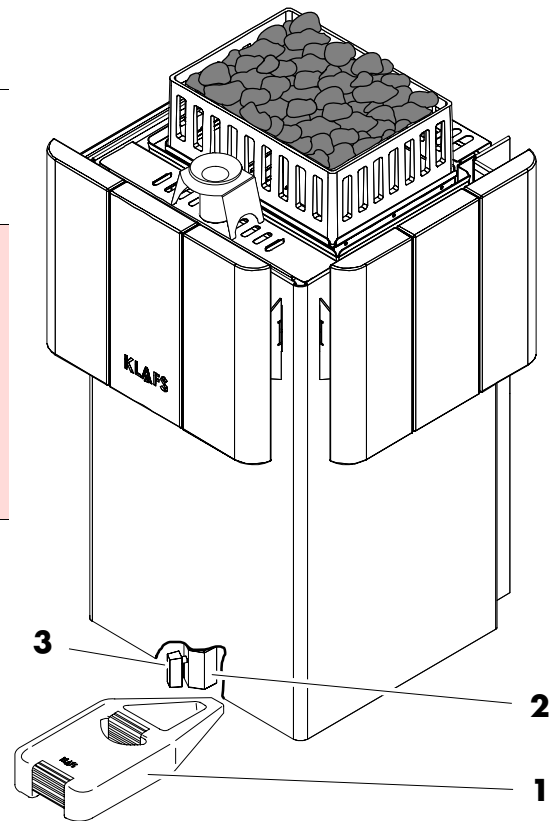
Evacuar el agua restante después de cada baño.



Superficies calientes: ¡Peligro de quemaduras!

Inmediatamente después del funcionamiento en modo de baño el agua restante aún está caliente. Proteger los dedos y las manos frente a quemaduras

1. Colocar la jarra de llenado (1) debajo del desagüe (2).
2. Abrir la llave de purga (3).
3. Después de haber vaciado el evaporador se debe volver a cerrar la llave de purga (3).
4. Vaciar la jarra de llenado (1).



Vaciar la copa de evaporador

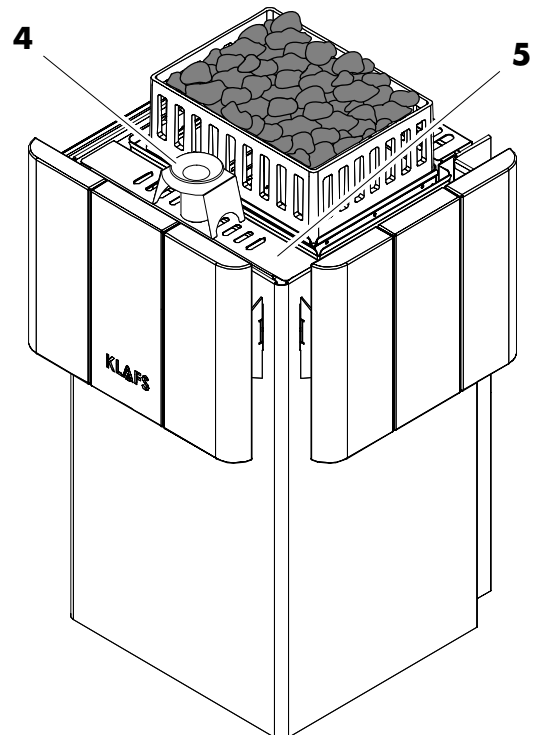


Superficies calientes: ¡Peligro de quemaduras!

La copa de evaporador (4) aún está caliente directamente después del funcionamiento en modo de baño.

Proteger los dedos y las manos frente a quemaduras.

1. Retirar la copa de evaporador (4) con la horquilla aromática de la cubierta (5).
2. Lavar la copa de evaporador con agua.
3. Volver a colocar la copa de evaporador (4) sobre la cubierta (5).



6. Ajustes individuales

Elemento /tecla:		Designación:
	A	Tecla para luz
	B	Tecla MODO
	C	LEDs modo de servicio
	D	Botón giratorio para la temperatura de la sauna
	E	Botón giratorio para la temperatura del clima suave
	F	Botón giratorio para la humedad del aire

6.1. Temperaturas del baño para la sauna y el clima suave



Temperatura del baño de la sauna

- ☞ La temperatura de baño habitual es de 85 °C - 95 °C.
- ☞ La posición central del botón giratorio de temperatura D para la sauna corresponde a aproximadamente 80 °C.

Temperatura del baño con clima suave

- ☞ La temperatura de baño habitual es de 50 °C - 60 °C.
- ☞ La posición central en el botón giratorio de temperatura E para el clima suave corresponde a aproximadamente 55 °C.

El sensor de temperatura está montado encima del horno de sauna directamente en la corriente de aire caliente.

Entre el sensor de temperatura y la indicación de temperatura existe una inevitable diferencia de temperatura. Por tanto, el botón giratorio de temperatura carece de escala.

6.2. Ajustar la temperatura del baño de la sauna

Ajustar la temperatura del baño de la sauna

1. Girar el botón giratorio de la temperatura D a la derecha hasta el tope.
 2. Observar la indicación de temperatura en la cabina.
 3. ¿Se ha alcanzado la temperatura del baño deseada? Girar el botón giratorio de temperatura D lentamente a la izquierda.
- ☞ En la unidad de control se puede percibir ahora un ligero chasquido. Dejar el botón giratorio de temperatura D en esta posición.

Regular la temperatura del baño de la sauna

1. Ajustar el botón giratorio de temperatura D a la temperatura del baño deseada.
2. Señalar la temperatura del baño más agradable.

6. Ajustes individuales

Elemento /tecla:		Designación:
	A	Tecla para luz
	B	Tecla MODO
	C	LEDs modo de servicio
	D	Botón giratorio para la temperatura de la sauna
	E	Botón giratorio para la temperatura del clima suave
	F	Botón giratorio para la humedad del aire

6.3. Ajustar la temperatura del baño del clima suave

Ajustar la temperatura del baño del clima suave

1. Girar el botón giratorio para la temperatura del clima suave E a la derecha hasta el tope.
2. Observar la indicación de temperatura en la cabina.
3. ¿Se ha alcanzado la temperatura del baño deseada? Girar el botón giratorio para la temperatura del clima suave E lentamente a la izquierda.

☞ En la unidad de control se puede percibir ahora un ligero chasquido. Dejar el botón giratorio para la temperatura del clima suave E en esta posición.

Regular la temperatura del baño del clima suave

1. Ajustar el botón giratorio para la temperatura del clima suave E a la temperatura del baño deseada.
2. Señalar la temperatura del baño más agradable.

6.4. Ajustar la humedad del aire del clima suave

Ajustar la humedad del aire del clima suave

1. Ajustar la humedad del aire deseada para el servicio de clima suave con el botón giratorio para la humedad del aire F.
- ☞ Ajustar el valor de servicio en función de la sensación de bienestar personal. La humedad se puede regular en cualquier momento durante el servicio mediante el botón giratorio para la humedad del aire F.

6.5. Ajustar la tapa de aire residual para la ventilación y aireación de la cabina (opción)

Servicio de calentamiento

Tapa de aire residual, nivel 1.

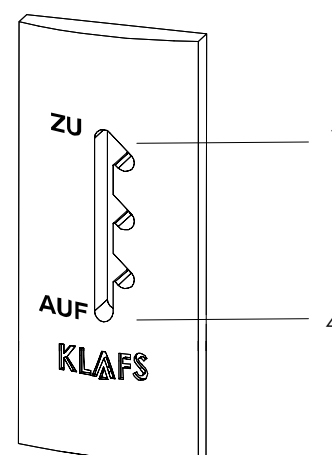
En esta posición se obtiene un caudal de aire reducido.

Servicio de sauna

Tapa de aire residual, nivel 4.

Funcionamiento en modo de baño con máxima ocupación de la sauna. En esta posición se obtiene el caudal de aire máximo.

Para el clima de sauna resulta más favorable obtener un mayor caudal de aire. Seleccionar los niveles intermedios en función de la ocupación de la sauna.



7. Si hay algo que no funciona correctamente

7.1. Indicación de anomalía en los LEDs del modo de servicio



¡Los trabajos de reparación y arreglo deben ser encomendados exclusivamente al personal de servicio de Klafs o una empresa expresamente autorizada por Klafs!

Las siguientes anomalías se muestran mediante el parpadeo simultáneo de todos los LEDs.

Número	Indicación	Fallo
1	Parpadeo rápido.	Fallo del limitador de temperatura de seguridad (STB).
2	Parpadeo lento.	Fallo del sensor de temperatura.
3	Parpadeo breve (0,1 s conectado y 0,9 s desconectado).	Fallo en uno de los botones giratorios de ajuste de la unidad de control.

7.2. Otros fallos posibles

Fallo	Causa	Remedio
No se puede conectar la unidad de control.	No hay tensión de red.	Comprobar el interruptor FI y el fusible de la alimentación de corriente.
La luz de la cabina no se enciende después de la conexión.	El interruptor principal de la unidad de control no está conectado.	Conectar el interruptor principal a la unidad de control.
	El medio fluorescente está averiado.	Modo de proceder: Separar la unidad de control de la red. Cambiar el medio fluorescente. ☞ Utilizar un medio fluorescente con la misma potencia.
	No hay tensión de red.	Comprobar el interruptor FI y el fusible de la alimentación de corriente.
	El fusible SI100 se ha disparado.	Cambiar el fusible SI100 (1,25 AT) o informar al servicio técnico de Klafs.
El evaporador no calienta.	Señal acústica del horno.	Llenar el depósito de agua con agua.
	El depósito de agua está vacío.	

8. Mantenimiento y conservación

La alta humedad del aire durante el servicio de clima suave no daña la madera de la cabina. Para ello se deberá ventilar adecuadamente la cabina después de utilizarla.

En ningún caso limpiar las paredes internas de la cabina así como las tumbonas y los bancos con agua o un limpiador de agua a presión.



Recomendación: Limpiar la cabina de sauna a la luz de la cabina.

☞ Condición previa: Conectar el interruptor principal de la unidad de control.

Pulsar la tecla de luz.

Tumbonas sucias

Limpiar las superficies de madera con un paño húmedo.

En caso necesario se deben lijar las superficies ásperas de las tumbonas con papel de lija fino.

Las tumbonas se pueden también lavar con una solución de peróxido de hidrógeno al 3 % (de venta en tiendas especializadas).



¡Los agentes de desinfección son muy cáusticos!
¡Por tanto, tener en cuenta las prescripciones de seguridad pertinentes!
¡Utilizar guantes de goma domésticos!



Las paredes exteriores de la cabina están barnizadas o impregnadas.
El revestimiento interior de la sauna así como el equipamiento interior de la cabina (tumbonas, etc.) no se deben barnizar, pintar o impregnar en ningún caso.

8. Mantenimiento y conservación

8.1. Clima suave

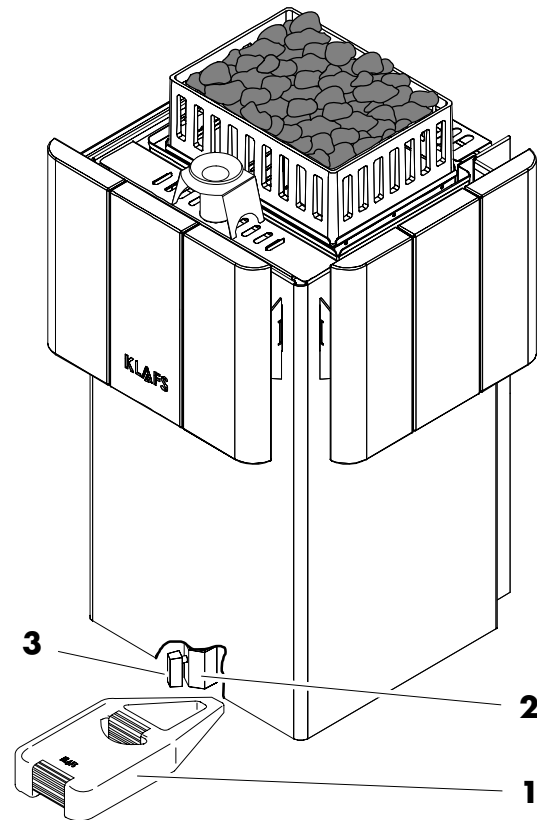


¡Indicación!

Los trabajos en los componentes/módulos eléctricos sólo se deben encomendar a electricistas especializados que trabajen siguiendo las reglas electrotécnicas.

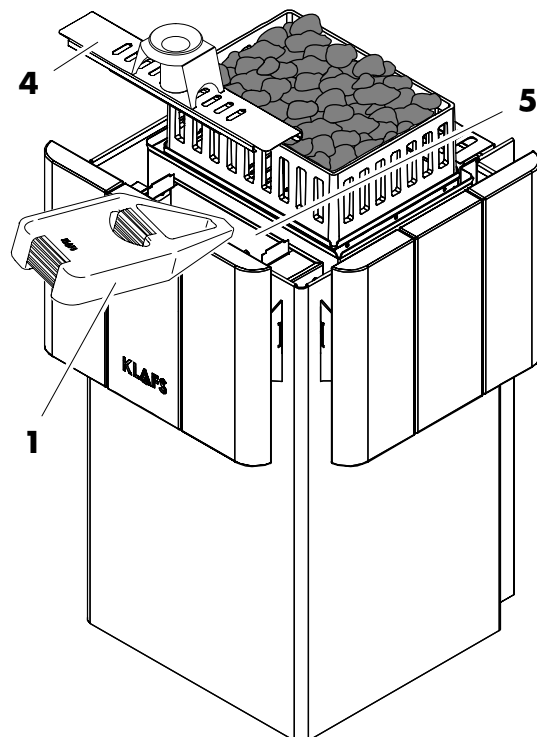
Evaporador: Vaciado

1. Colocar la jarra de llenado (1) debajo del desagüe (2). Abrir la llave de purga (3).
2. Después de haber vaciado el evaporador se debe volver a cerrar la llave de purga (3).
3. Vaciar la jarra de llenado (1).



Evaporador: Descalcificar

4. Retirar la cubierta (4) del evaporador.
5. Llenar el depósito del evaporador (5) con agua.
6. Añadir aproximadamente dos cucharadas de un agente descalcificador doméstico comercial (sin cloro) en el depósito del evaporador (5).
7. Dejar que la solución descalcificadora actúe durante la noche pero al menos durante 12 horas sobre la capa de cal. Se puede prolongar este tiempo de actuación por un valor dos o tres veces mayor que el indicado para eliminar con seguridad todos los restos de cal.
8. Colocar la cubierta (4) del evaporador.
9. Colocar la jarra de llenado (1) debajo del desagüe (2). Abrir la llave de purga (3). Purgar el agua a la jarra de llenado (1).



Evaporador: Lavar

10. Cerrar la llave de purga (3).
11. Retirar la cubierta (4) del evaporador.
12. Llenar el depósito del evaporador (5) con agua.
13. Colocar la jarra de llenado (1) debajo del desagüe (2). Abrir la llave de purga (3).
14. Después de haber vaciado el evaporador se debe volver a cerrar la llave de purga (3).
15. Repetir este proceso dos o tres veces para realizar un lavado.
16. Colocar la cubierta (4) del evaporador.

9. Notas

9. Notas

9. Notas

10. Direcciones

**Klafs está muy cerca de usted.
Nos encargamos de ofrecer un servicio profesional.**

Klafs GmbH & Co. KG

Casa matriz en Alemania:

Erich-Klafs-Straße 1-3
74523 Schwäbisch Hall
Servicio Tel. +49 791 501-220
Accesorios/piezas de recambio Tel. +49 791 501-310

También encontrará
muchos accesorios
en nuestra tienda
online en
www.klafs.de

Suiza:

Klafs AG
Oberneuhofstr. 11
CH-6342 Baar/Zug
Tel. +41 41 760 22 42

Austria:

Klafs GmbH
Sonnwiesenweg 19
A-6361 Hopfgarten/Tirol
Tel. +43 5335 2330-0

**Junto a su "Clima suave de Klafs con control tipo 16043" le
deseamos siempre mucha diversión, bienestar, relajación y
recuperación.**

Reservado el derecho de realizar modificaciones técnicas.
Reproducción, total o parcial, únicamente con la autorización por escrito de
Klafs GmbH & Co. KG

Edición 05.09

Número de artículo 5070145